

Operator's Manual

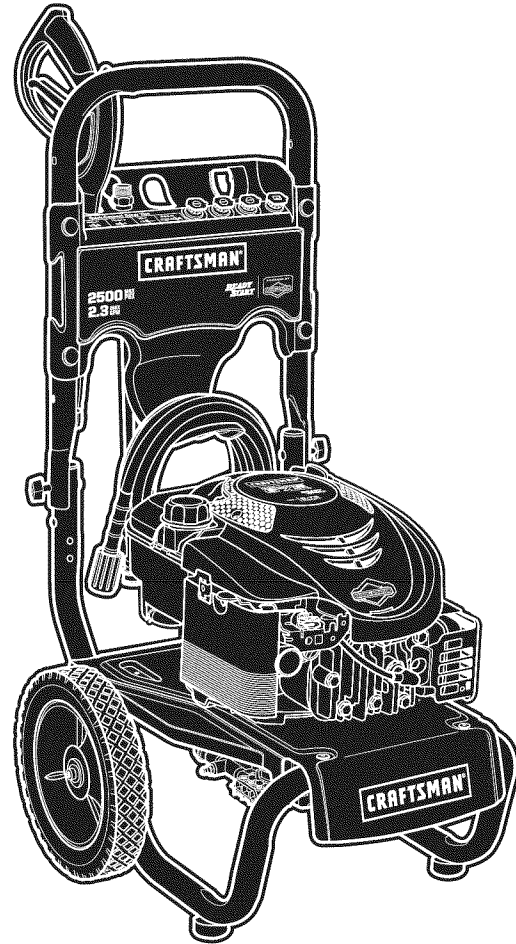
CRAFTSMAN®

2500 PSI MAX*

2.3 GPM MAX

PRESSURE WASHER

Model No. 580.752561



HOURS: Mon. - Fri. 8 a.m. to 5 p.m. (CT)



WARNING

Before using this product, read this manual and follow all Safety Rules and Operating Instructions.



ADVERTENCIA

Antes de utilizar el producto, lea este manual y siga todas las Reglas de Seguridad e Instrucciones de Uso.

- Safety
- Assembly
- Operation
- Maintenance
- Parts
- Español, p. 32

* This pressure washer is rated in accordance to the Pressure Washer Manufacturers Association (PWMA) standard PW101 (Testing and Rating Performance of Pressure Washers).

* Esta limpiadora a presión está clasificada conforme a la norma PW101 (comprobación y clasificación de rendimiento de limpiadoras a presión) de la Asociación de fabricantes de bombas a presión (Pressure Washer Manufacturers Association, PWMA).

Sears Brands Management Corporation, Hoffman Estates, IL 60179 U.S.A.

Visit our Craftsman website: www.craftsman.com

Part No. 313634GS Draft A (01/03/2011)



TABLE OF CONTENTS

WARRANTY	2	MAINTENANCE	16-20
REPAIR PROTECTION AGREEMENT	2	STORAGE	21
SAFETY RULES	3-5	TROUBLESHOOTING	22
FEATURES AND CONTROLS	6	REPLACEMENT PARTS	24-29
ASSEMBLY	7-10	EMISSION CONTROL WARRANTY	30-31
OPERATION	11-14	ESPAÑOL	32-55
SPECIFICATIONS	15	HOW TO ORDER PARTS	BACK PAGE

WARRANTY

CRAFTSMAN TWO YEAR LIMITED WARRANTY

FOR TWO YEARS from the date of purchase, this product is warranted against any defects in material or workmanship. Defective product will receive free repair or replacement if repair is unavailable.

For warranty coverage details to obtain free repair or replacement, visit the web site: www.craftsman.com

This warranty does not cover the spray guns, hoses, nozzle extensions, nozzles, filters and spark plugs, which are expendable parts that can wear out from normal use within the warranty period.

This warranty is void if this product is ever used while providing commercial services or if rented to another person.

This warranty gives you specific legal rights, and you may also have other rights which vary from state to state.

Sears Brands Management Corporation, Hoffman Estates, IL 60179

REPAIR PROTECTION AGREEMENT

Congratulations on making a smart purchase.

Your new Craftsman® product is designed and manufactured for years of dependable operation. But like all products, it may require repair from time to time. That's when having a Repair Protection Agreement can save you money and aggravation.

Here's what the Repair Protection Agreement* includes:

- **Expert service** by our 10,000 professional repair specialists
- **Unlimited service and no charge** for parts and labor on all covered repairs
- **Product replacement** up to \$1500 if your covered product can't be fixed
- **Discount of 10%** from regular price of service and related installed parts not covered by the agreement; also, 10% off regular price of preventive maintenance check
- **Fast help by phone** – we call it Rapid Resolution – phone support from a Sears representative. Think of us as a “talking owner's manual”.

Once you purchase the Repair Protection Agreement, a simple phone call is all it takes for you to schedule service. You can call anytime day or night, or schedule a service appointment online.

The Repair Protection Agreement is a risk-free purchase. If you cancel for any reason during the product warranty period, we will provide a full refund. Or, a prorated refund anytime after the product warranty period expires. Purchase your Repair Protection Agreement today!

Some limitations and exclusions apply. For prices and additional information in the U.S.A. call 1-800-827-6655.

*** Coverage in Canada varies on some items. For full details, call Sears Canada at 1-800-361-6665.**

Sears Installation Service

For Sears professional installation of home appliances, garage door openers, water heaters, and other major home items, in the U.S.A. or Canada call 1-800-4-MY-HOME®.

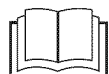
SAFETY RULES



Read this manual carefully and become familiar with your pressure washer. Know its applications, its limitations, and any hazards involved.

Important Safety Information

Safety Symbols and Meanings



Operator's Manual



Toxic Fumes



Electrical Shock



Slippery Surface



Fall



Fluid Injection



Fire



Explosion



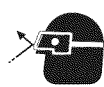
Kickback



Projectile



Moving Parts



Flying Objects



Chemical Burn



Hot Surface

▲ The safety alert symbol indicates a potential personal injury hazard. A signal word (DANGER, WARNING, or CAUTION) is used with the alert symbol to designate a degree or level of hazard seriousness. A safety symbol may be used to represent the type of hazard. The signal word *NOTICE* is used to address practices not related to personal injury.

▲ **DANGER** indicates a hazard which, if not avoided, *will* result in death or serious injury.

▲ **WARNING** indicates a hazard which, if not avoided, *could* result in death or serious injury.

▲ **CAUTION** indicates a hazard which, if not avoided, *could* result in minor or moderate injury.

NOTICE address practices not related to personal injury.

▲ **WARNING** The engine exhaust from this product contains chemicals known to the State of California to cause cancer, birth defects, or other reproductive harm.

▲ **WARNING** This product contains lead and lead compounds, known to the State of California to cause birth defects or other reproductive harm. *Wash your hands after handling this product.*

▲ **WARNING** Running engine gives off carbon monoxide, an odorless, colorless, poison gas. Breathing carbon monoxide could result in death, serious injury, headache, fatigue, dizziness, vomiting, confusion, seizures, nausea or fainting. Some chemicals or detergents could be harmful if inhaled or ingested, resulting in death, serious injury, nausea, fainting or poisoning.

- Operate this product ONLY outdoors.
- Keep exhaust gas from entering a confined area through windows, doors, ventilation intakes, or other openings.
- DO NOT operate this product inside any building, carport, porch, mobile equipment, marine applications, or enclosure, even if windows and doors are open.
- Use a respirator or mask whenever there is a chance that vapors may be inhaled when using chemicals.
- Read all instructions with mask so you are certain the mask will provide the necessary protection against inhaling harmful vapors when using chemicals.

▲ **WARNING** Chemical Burn Hazard. Chemicals could cause burns resulting in death, serious injury, and/or property damage.

- DO NOT use caustic liquid with pressure washer.
- Use ONLY pressure washer safe detergents/soaps. Follow all manufacturers instructions.

▲ WARNING Starter cord kickback (rapid retraction) will pull hand and arm toward engine faster than you can let go which could cause broken bones, fractures, bruises, or sprains resulting in serious injury.

- NEVER pull starter cord without first relieving spray gun pressure.
- When starting engine, pull cord slowly until resistance is felt and then pull rapidly to avoid kickback.
- After each starting attempt, where engine fails to run, always point spray gun in safe direction, press red button and squeeze spray gun trigger to release high pressure.
- Firmly grasp spray gun with both hands when using high pressure spray to avoid injury when spray gun kicks back.

▲ WARNING Risk of electrocution. Contact with power source could cause electric shock or burn resulting in death or serious injury.

- NEVER spray near power source.

▲ WARNING The high pressure stream of water that this equipment produces could cut through skin and its underlying tissues, resulting in serious injury and possible amputation.

Spray gun traps high water pressure, even when engine is stopped and water is disconnected, which could result in serious injury.

- If cut by fluid, call physician immediately. DO NOT treat as a simple cut.
- DO NOT allow CHILDREN to operate pressure washer.
- NEVER repair high pressure hose. Replace it.
- NEVER repair leaking connections with sealant of any kind. Replace o-ring or seal.
- NEVER connect high pressure hose to nozzle extension.
- Keep high pressure hose connected to pump and spray gun while system is pressurized.
- ALWAYS point spray gun in safe direction, press red button and squeeze spray gun trigger to release high pressure, every time you stop engine.
- NEVER aim spray gun at people, animals, or plants.
- DO NOT secure spray gun in open position.
- DO NOT leave spray gun unattended while machine is running.
- NEVER use a spray gun which does not have a trigger lock or trigger guard in place and in working order.
- Always be certain spray gun, nozzles and accessories are correctly attached.

▲ WARNING Fuel and its vapors are extremely flammable and explosive which could cause burns, fire or explosion resulting in death, serious injury and/or property damage.

WHEN ADDING OR DRAINING FUEL

- Turn pressure washer engine OFF and let it cool at least 2 minutes before removing fuel cap. Loosen cap slowly to relieve pressure in tank.
- Fill or drain fuel tank outdoors.
- DO NOT overfill tank. Allow space for fuel expansion.
- If fuel spills, wait until it evaporates before starting engine.
- Keep fuel away from sparks, open flames, pilot lights, heat, and other ignition sources.
- Check fuel lines, tank, cap and fittings frequently for cracks or leaks. Replace if necessary.
- DO NOT light a cigarette or smoke.

WHEN STARTING EQUIPMENT

- Ensure spark plug, muffler, fuel cap, and air cleaner are in place.
- DO NOT crank engine with spark plug removed.

WHEN OPERATING EQUIPMENT

- DO NOT operate this product inside any building, carport, porch, mobile equipment, marine applications, or enclosure.
- DO NOT tip engine or equipment at angle which causes fuel to spill.
- DO NOT spray flammable liquids.

WHEN TRANSPORTING, MOVING OR REPAIRING EQUIPMENT

- Transport/move/repair with fuel tank EMPTY or with fuel shutoff valve OFF.
- DO NOT tip engine or equipment at angle which causes fuel to spill.
- Disconnect spark plug wire.

WHEN STORING FUEL OR EQUIPMENT WITH FUEL IN TANK

- Store away from furnaces, stoves, water heaters, clothes dryers, or other appliances that have pilot light or other ignition source because they could ignite fuel vapors.

▲ WARNING Exhaust heat/gases could ignite combustibles, structures or damage fuel tank causing a fire, resulting in death, serious injury and/or property damage.

Contact with muffler area could cause burns resulting in serious injury.

- DO NOT touch hot parts and AVOID hot exhaust gases.
- Allow equipment to cool before touching.
- Keep at least 5 feet (152 cm) of clearance on all sides of pressure washer including overhead.
- It is a violation of California Public Resource Code, Section 4442, to use or operate the engine on any forest-covered, brush-covered, or grass-covered land unless the exhaust system is equipped with a spark arrester, as defined in Section 4442, maintained in effective working order. Other states or federal jurisdictions may have similar laws.

Contact the original equipment manufacturer, retailer, or dealer to obtain a spark arrester designed for the exhaust system installed on this engine.

- Replacement parts must be the same and installed in the same position as the original parts.

▲ WARNING Use of pressure washer could create puddles and slippery surfaces causing you to fall resulting in death or serious injury.



Kickback from spray gun could cause you to fall resulting in death or serious injury.

- Operate pressure washer from a stable surface.
- The cleaning area should have adequate slopes and drainage to reduce the possibility of a fall due to slippery surfaces.
- Be extremely careful if you must use the pressure washer from a ladder, scaffolding, or any other similar location.
- Firmly grasp spray gun with both hands when using high pressure spray to avoid injury when spray gun kicks back.

▲ WARNING Unintentional sparking could cause fire or electric shock resulting in death or serious injury.



WHEN ADJUSTING OR MAKING REPAIRS TO YOUR PRESSURE WASHER

- Disconnect the spark plug wire from the spark plug and place the wire where it cannot contact spark plug.

WHEN TESTING FOR ENGINE SPARK

- Use approved spark plug tester.
- DO NOT check for spark with spark plug removed.

▲ WARNING Starter and other rotating parts could entangle hands, hair, clothing, or accessories resulting in serious injury.



- NEVER operate pressure washer without protective housing or covers.
- DO NOT wear loose clothing, jewelry or anything that could be caught in the starter or other rotating parts.
- Tie up long hair and remove jewelry.

▲ WARNING Risk of eye or bodily injury. Spray could splash back or propel objects resulting in serious injury.



- Always wear indirect vented (chemical splash) safety goggles marked to comply with ANSI Z87.1 when using or in vicinity of this equipment.
- NEVER substitute safety glasses or dry-condition goggles for indirect vented safety goggles.
- Always wear protective clothing such as a long-sleeved shirt, long pants and close-toed shoes.
- NEVER operate pressure washer when barefoot or wearing sandals or shorts.

▲ CAUTION Excessively high operating speeds could result in minor injury and/or pressure washer damage. Excessively low speeds impose a heavy load.

- DO NOT tamper with governor spring, links or other parts to increase engine speed. Pressure washer supplies correct rated pressure and flow when running at governed speed.
- DO NOT modify pressure washer in any way.

NOTICE High pressure spray could damage fragile items including glass.

- DO NOT point spray gun at glass when using red (0°) spray tip.
- NEVER aim spray gun at plants.

NOTICE Improper treatment of pressure washer could damage it and shorten its life.

- If you have questions about intended use, ask dealer or contact qualified service center.
- NEVER operate units with broken or missing parts, or without protective housing or covers.
- DO NOT by-pass any safety device on this machine.
- DO NOT tamper with governed speed.
- DO NOT operate pressure washer above rated pressure.
- DO NOT modify pressure washer in any way.
- Before starting pressure washer in cold weather, check all parts of the equipment to be sure ice has not formed there.
- NEVER move machine by pulling on hoses. Use handle provided on unit.
- This equipment is designed to be used with Sears authorized parts **ONLY**. If equipment is used with parts that DO NOT comply with minimum specifications, user assumes all risks and liabilities.

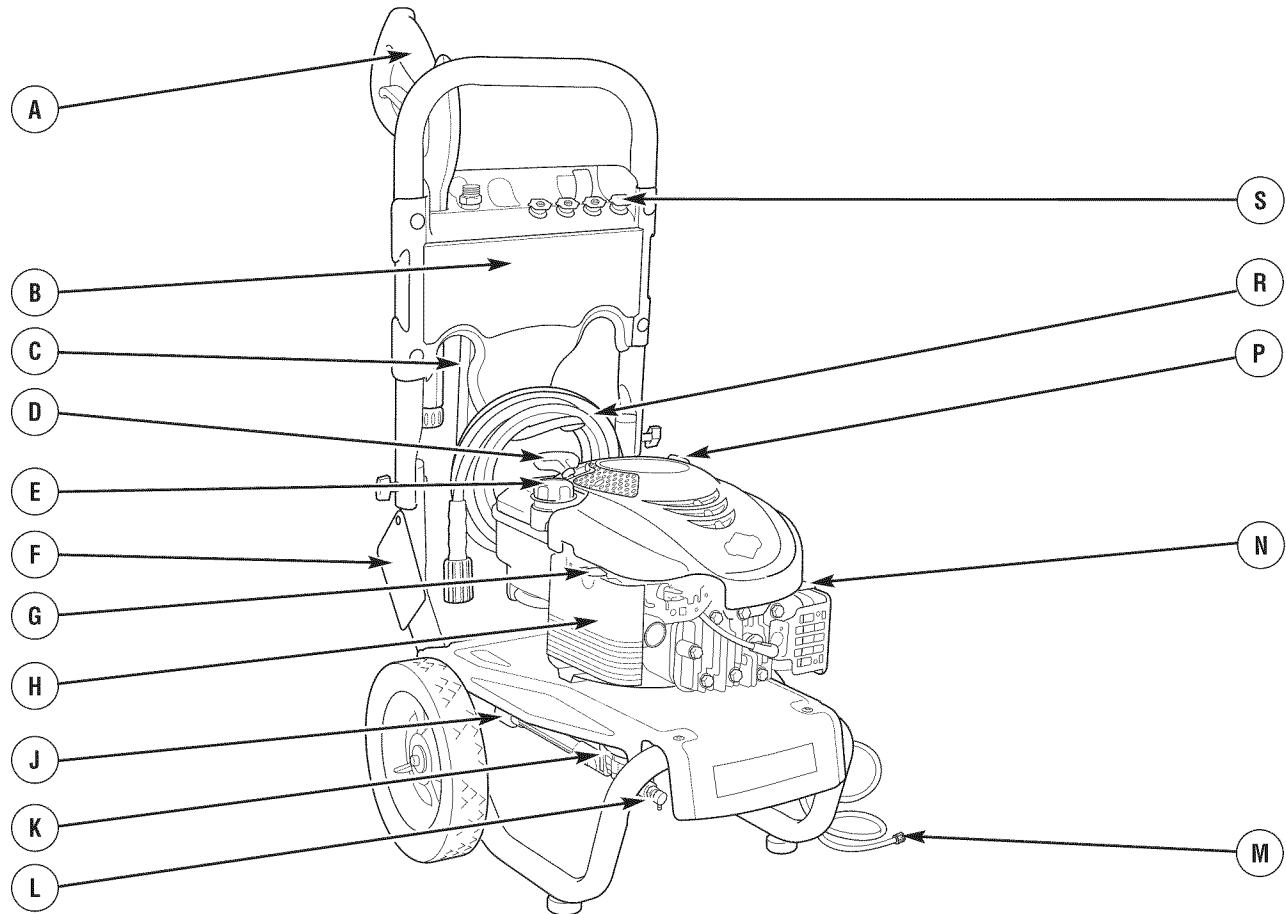
FEATURES AND CONTROLS

KNOW YOUR PRESSURE WASHER



Read the Operator's Manual and safety rules before operating your pressure washer.

Compare the illustrations with your pressure washer to familiarize yourself with the locations of various controls and adjustments. Save this manual for future reference.



A - Spray Gun — Controls the application of water onto cleaning surface with trigger device. Includes trigger lock.

B - Accessory Tray — Provides convenient storage for accessories, such as gun, spray tips, etc.

C - Nozzle Extension with Quick Connect — Allows you to switch between four different spray tips.

D - Recoil Starter — Used for starting the engine manually.

E - Fuel Tank — Fill tank with regular unleaded fuel. Always leave room for fuel expansion.

F - Warning/Operating Instructions Tag — Identifies hazards and proper procedure to start/stop pressure washer.

G - Throttle Lever — Sets engine in starting mode for recoil starter and stops a running engine.

H - Air Filter — Protects engine by filtering dust and debris out of intake air.

J - Water Inlet — Connection for garden hose.

K - Pump — Develops high pressure.

L - Automatic Cool Down System — Cycles water through pump when water reaches 125°-155°F. Warm water will discharge from pump onto ground. This system prevents internal pump damage.

M - Detergent Siphoning Tube/Filter — Use to siphon pressure washer safe detergents into the low pressure stream.

N - Engine Identification — Provides model, type and code of engine. Please have these readily available if calling for assistance.

P - Oil Fill/Dipstick — Check, add and drain engine oil here.

R - High Pressure Hose — Connect one end of hose to water pump and the other end to spray gun.

S - Spray Tips — Detergent, 0°, 15° and 40°: for various high pressure cleaning applications.

Items Not Shown:

High Pressure Outlet — Connection for high pressure hose.

Identification Label (near rear of base plate) — Provides model and serial number of pressure washer. Please have these readily available if calling for assistance.

ASSEMBLY

Your pressure washer requires some assembly and is ready for use only after it has been properly serviced with the recommended oil and fuel.

If you have any problems with the assembly of your pressure washer, please call the pressure washer helpline at 1-800-222-3136.

UNPACK THE PRESSURE WASHER

1. Remove everything from carton except pressure washer.
2. Open carton completely by cutting each corner from top to bottom.
3. Remove pressure washer from carton.

CARTON CONTENTS

Check all contents. If any parts are missing or damaged, call the pressure washer helpline at **1-800-222-3136**.

- Main Unit
- Handle
- Accessory Tray
- High Pressure Hose
- Spray Gun
- Nozzle Extension with Quick Connect Fitting
- Oil Bottle
- Parts Bag (which includes the following):
 - Operator's Manual
 - Owner's Registration Card
 - Bag containing 4 multi-colored Spray Tips
 - Handle Fastening Hardware Kit (which includes):
 - Carriage Bolts (2)
 - Plastic Knobs (2)
 - Tree Clips (4)

Become familiar with each piece before assembling the pressure washer. Identify all contents with the illustration on page 6. If any parts are missing or damaged, call the pressure washer helpline at **1-800-222-3136**.

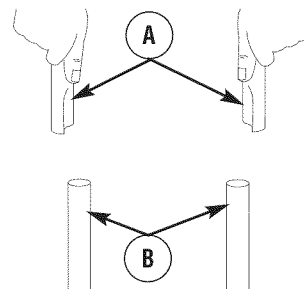
ASSEMBLING PRESSURE WASHER

Your Craftsman pressure washer will need assembly before operation:

1. Fill out and send in registration card.
2. Attach handle and accessory tray.
3. Add oil to engine crankcase.
4. Add fuel to fuel tank.
5. Connect pressure hose to spray gun and pump.
6. Connect water supply to pump.
7. Attach nozzle extension to spray gun.
8. Select/attach quick connect spray tip to nozzle extension.

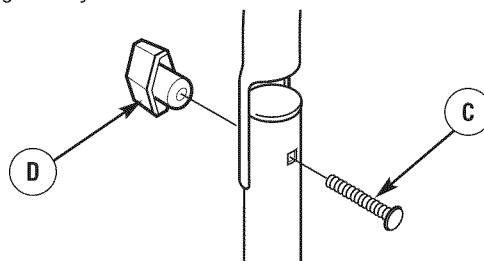
Attach Handle and Accessory Tray

1. Place handle (A) onto handle supports (B) connected to main unit. Make sure holes in handle align with holes on handle supports.

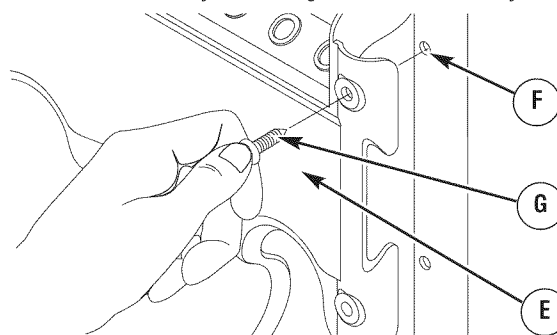


NOTICE It may be necessary to move the handle supports from side to side in order to align the handle so it will slide over the handle supports.

2. Insert carriage bolts (C) through holes from inside of unit and attach a plastic knob (D) from outside of unit. Tighten by hand.



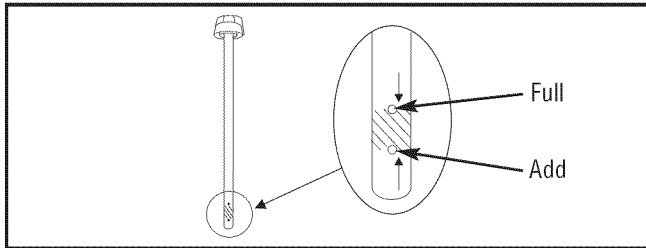
3. Place accessory tray (E) over holes (F) on handle (viewing from front of unit). Push the tree clips (G) into the holes until they sit flat against the accessory tray.



4. Insert multi-colored quick connect spray tips and other supplied accessories in spaces provided in accessory tray. See *How to Use Accessory Tray*.

Add Engine Oil

1. Place pressure washer on a flat, level surface.
2. Clean area around oil fill and remove yellow oil fill cap/dipstick.
3. Using oil funnel (optional), slowly pour contents of supplied oil into oil fill opening, frequently checking oil level. **DO NOT OVERFILL.**



NOTICE Improper treatment of pressure washer could damage it and shorten its life.

- DO NOT attempt to crank or start the engine before it has been properly serviced with the recommended oil. This could result in an engine failure.
4. Replace oil fill cap/dipstick and fully tighten.

Add Fuel

Fuel must meet these requirements:

- Clean, fresh, unleaded gasoline.
- A minimum of 87 octane/87 AKI (91 RON). For high altitude use, see *High Altitude*.
- Gasoline with up to 10% ethanol (gasohol) or up to 15% MTBE (methyl tertiary butyl ether) is acceptable.

NOTICE Avoid pressure washer damage. Failure to follow Operator's Manual for fuel recommendations voids warranty.

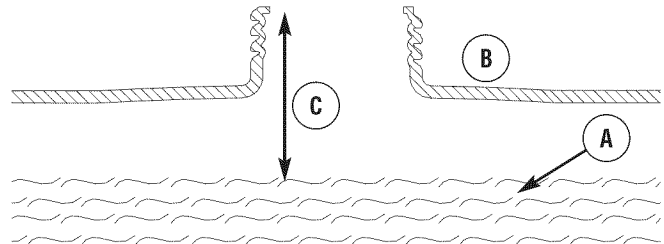
- DO NOT use unapproved gasoline such as E85.
- DO NOT mix oil in gasoline.
- DO NOT modify engine to run on alternate fuels.

To protect the fuel system from gum formation, mix in a fuel stabilizer when adding fuel. See *Storage*. All fuel is not the same. If you experience starting or performance problems after using fuel, switch to a different fuel provider or change brands. This engine is certified to operate on gasoline. The emission control system for this engine is EM (Engine Modifications).

▲ WARNING Fuel and its vapors are extremely flammable and explosive which could cause burns, fire or explosion resulting in death, serious injury and/or property damage.

WHEN ADDING FUEL

- Turn pressure washer engine OFF and let it cool at least 2 minutes before removing fuel cap. Loosen cap slowly to relieve pressure in tank.
 - Fill fuel tank outdoors.
 - DO NOT overfill tank. Allow space for fuel expansion.
 - If fuel spills, wait until it evaporates before starting engine.
 - Keep fuel away from sparks, open flames, pilot lights, heat, and other ignition sources.
 - Check fuel lines, tank, cap and fittings frequently for cracks or leaks. Replace if necessary.
 - DO NOT light a cigarette or smoke.
1. Clean area around fuel fill cap, remove cap.
 2. Slowly add regular unleaded fuel (A) to fuel tank (B). Be careful not to overfill. Allow about 1.5" (4 cm) (C) of tank space for fuel expansion.



3. Install fuel cap and wait for any spilled fuel to evaporate.

CAUTION! Alcohol-blended fuels (called gasohol, ethanol or methanol) can attract moisture, which leads to separation and formation of acids during storage. Acidic gas can damage the fuel system of an engine while in storage.

To avoid engine problems, the fuel system should be treated with a fuel preserver or emptied before storage of 30 days or longer. If adding a fuel preserver, fill the fuel tank with fresh fuel. If only partially filled, air in the tank will promote fuel deterioration during storage. If fuel preserver is not used, drain the fuel tank, start the engine and let it run until the fuel lines and carburetor are empty. Use fresh fuel next season. See *Storage* for additional information.

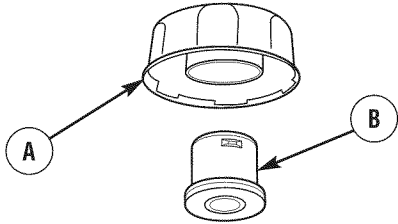
NEVER use engine or carburetor cleaner products in the fuel tank as permanent damage may occur.

High Altitude

At altitudes over 5,000 feet (1524 meters), a minimum 85 octane / 85 AKI (89 RON) gasoline is acceptable. To remain emissions compliant, high altitude adjustment is required. Operation without this adjustment will cause decreased performance, increased fuel consumption, and increased emissions. See a qualified Sears dealer for high altitude adjustment information. Operation of the engine at altitudes below 2,500 feet (762 meters) with the high altitude kit is not recommended.

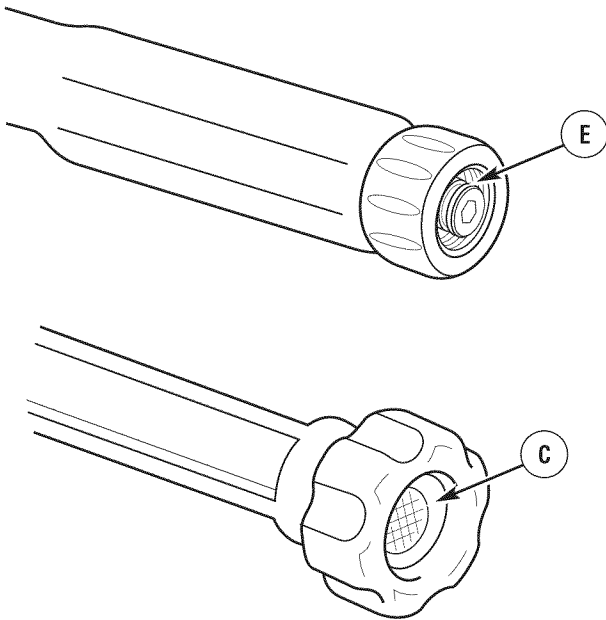
Fresh Start® Fuel Cap

The Fresh Start® fuel cap (A) is designed to hold a cartridge (B) which contains fuel preserver. Adding fuel preserver helps keep fuel fresh and carburetors clean for easier starting all season long. The Fresh Start® fuel cap, if equipped with a cartridge, automatically drips concentrated fuel preserver into your fuel tank so you don't have to add it yourself.



NOTICE Fresh Start® fuel preserver cartridge is available as an optional accessory, retail item 7133386. It is not included with the pressure washer. Contact the original equipment manufacturer, retailer, or dealer to obtain a cartridge designed for the Fresh Start® fuel cap installed on this engine.

Read and follow all instructions and warnings given in the Fresh Start® fuel preserver cartridge package.



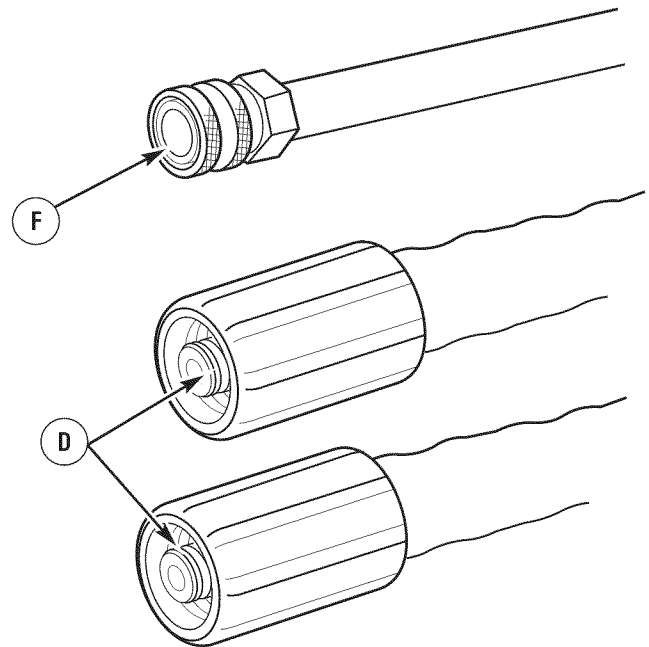
Lubricate O-Rings

Lubrication of o-rings is extremely important for installation and operation. The use of a lubricant (petroleum or synthetic grease) during assembly helps seat o-rings properly and provides an improved seal. It also helps protect the o-ring from damage by abrasion, pinching or cutting and extends the life of the o-ring.

NOTICE ALWAYS apply a small amount of lubricant on o-rings prior to assembling the garden hose to the pump (C), high pressure hose (D), spray gun (E), and nozzle extension (F).

Lubricate all connections shown below, following these instructions:

1. Inspect and clean connecting surfaces prior to lubrication and assembly.
2. Use lubricants sparingly during assembly; a light film is all that is required.
3. Use a small brush or cotton swab to apply grease directly to o-rings where they are not accessible (QC fitting, M22 fitting).



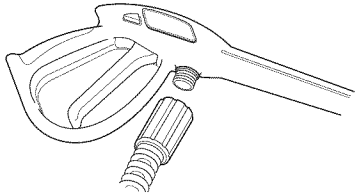
Connect Hose and Water Supply to Pump

NOTICE DO NOT run the pump without the water supply connected and turned on.

- Damage to equipment resulting from failure to follow this instruction will void warranty.

NOTICE Remove and discard the shipping caps from the pump's high pressure outlet and water inlet before attaching hoses.

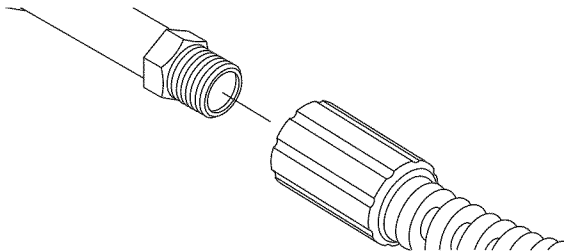
1. Uncoil high pressure hose and attach one end of hose to base of spray gun. Tighten by hand.



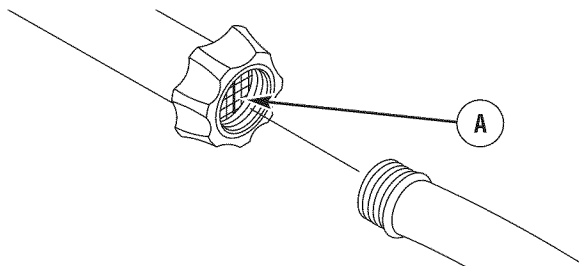
▲ WARNING The high pressure stream of water that this equipment produces could cut through skin and its underlying tissues, resulting in serious injury and possible amputation.

- NEVER connect high pressure hose to nozzle extension.
- Keep high pressure hose connected to pump and spray gun while system is pressurized.
- Always be certain spray gun, nozzles and accessories are correctly attached.

2. Attach other end of high pressure hose to high pressure outlet on pump. Tighten by hand.



3. Before connecting garden hose to water inlet, inspect inlet screen (A). Clean screen if it contains debris or have it replaced if damaged. **DO NOT run pressure washer if inlet screen is damaged or missing.**



4. Run water through your garden hose for 30 seconds to clean out any debris.


NOTICE DO NOT siphon standing water for the water supply. Use ONLY cold water (less than 100°F).

NOTICE Using a One Way Valve (vacuum breaker or check valve) at pump inlet could cause pump or inlet connector damage.

- There MUST be at least ten feet of unrestricted garden hose between the pressure washer inlet and any device, such as a vacuum breaker or check valve.
- Damage to equipment resulting from failure to follow this instruction will void warranty.

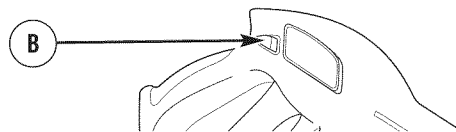
5. Connect the garden hose (not to exceed 50 feet in length) to the water inlet. Tighten by hand.

▲ WARNING Risk of eye injury.

 Spray could splash back or propel objects resulting in serious injury.

- Always wear indirect vented (chemical splash) safety goggles marked to comply with ANSI Z87.1 when using or in vicinity of this equipment.
- NEVER substitute safety glasses or dry-condition goggles for indirect vented safety goggles.

6. Turn ON the water, press red button (B) on the gun and squeeze the trigger to purge the pump system of air and impurities.



Checklist Before Starting Engine

Review the unit to ensure you have performed all of the following:

1. Be sure to read *Safety Rules* and *Operation* sections before using the pressure washer.
2. Make sure handle is in place and secure.
3. Check that oil has been added to proper level in engine crankcase.
4. Add proper fuel to fuel tank.
5. Check for proper hose connections (high pressure and water supply) and that there are no kinks, cuts, or damage to the high pressure hose.
6. Provide proper water supply (not to exceed 100°F).

OPERATION

HOW TO USE YOUR PRESSURE WASHER

If you have any problems operating your pressure washer, please call the pressure washer helpline at **1-800-222-3136**.

Pressure Washer Location

Pressure Washer Clearance

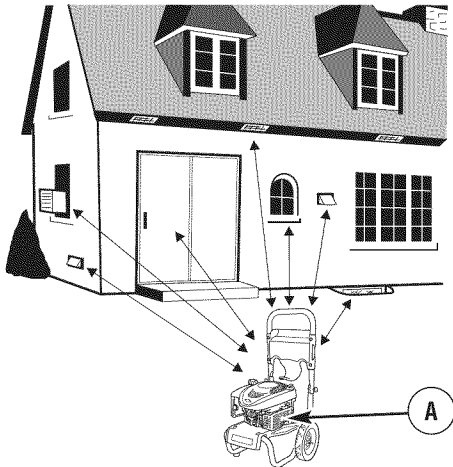
▲ WARNING Exhaust heat/gases could ignite combustibles, structures or damage fuel tank causing a fire, resulting in death, serious injury and/or property damage.

- Keep at least 5 ft. (152 cm) clearance on all sides of pressure washer including overhead.

Place pressure washer outdoors in an area that will not accumulate deadly exhaust gas. **DO NOT** place pressure washer where exhaust gas (**A**) could accumulate and enter inside or be drawn into a potentially occupied building. Ensure exhaust gas is kept away from any windows, doors, ventilation intakes, or other openings that can allow exhaust gas to collect in a confined area. Prevailing winds and air currents should be taken into consideration when positioning pressure washer.

▲ WARNING Running engine gives off carbon monoxide, an odorless, colorless, poison gas. Breathing carbon monoxide could result in death, serious injury, headache, fatigue, dizziness, vomiting, confusion, seizures, nausea or fainting.

- Operate this product **ONLY** outdoors.
- Keep exhaust gas from entering a confined area through windows, doors, ventilation intakes, or other openings.
- **DO NOT** operate this product inside any building, carport, porch, mobile equipment, marine applications, or enclosure, even if windows and doors are open.

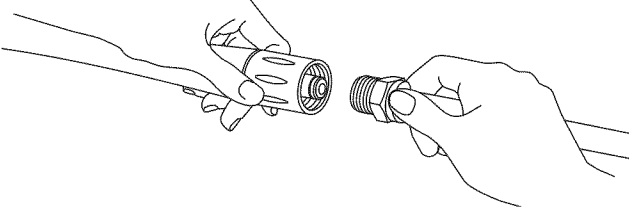


To Start Your Pressure Washer

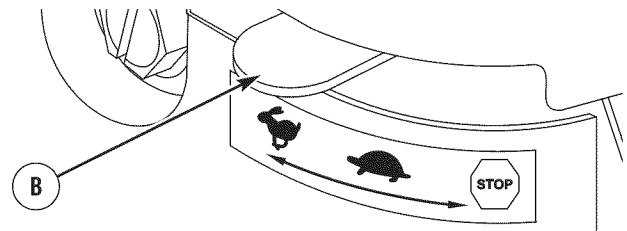
To start your engine-powered pressure washer for the first time, follow these instructions step-by-step. This information also applies whenever you start the engine after you have let the pressure washer sit idle for at least a day.

1. Place pressure washer outside near an water source capable of supplying water at a flow rate greater than 3.3 gallons per minute and no less than 20 PSI at pressure washer end of garden hose.
2. Check that high pressure hose is tightly connected to spray gun and pump. See *Assembly* for illustrations.
3. Make sure unit is in a level position.
4. Connect garden hose to water inlet on pressure washer pump.


NOTICE **DO NOT** run the pump without the water supply connected and turned on.

- Damage to equipment resulting from failure to follow this instruction will void warranty.
5. Turn **ON** the water, press red button on the gun and squeeze the trigger to purge the pump system of air and impurities.
 6. Attach nozzle extension to spray gun. Tighten by hand.
- 
7. Choose spray tip you want to use and insert it into nozzle extension. See *How to Use Spray Tips*.

8. Move throttle lever (**B**) to "Fast" position, shown as a rabbit.



NOTICE Before starting the pressure washer, be sure you are wearing safety goggles as described below.

▲ WARNING Risk of eye injury.
 Spray could splash back or propel objects resulting in serious injury.

- Always wear indirect vented (chemical splash) safety goggles marked to comply with ANSI Z87.1 when using or in vicinity of this equipment.
- NEVER substitute safety glasses or dry-condition goggles for indirect vented safety goggles.

NOTICE This unit is equipped with a ReadyStart® engine. A ReadyStart® engine means there is no priming or choking required.

10. When starting engine, position yourself as recommended and grasp starter grip handle and pull slowly until you feel some resistance. Then pull rapidly to start engine.




▲ WARNING Starter cord kickback (rapid retraction) will pull hand and arm toward engine faster than you can let go which could cause broken bones, fractures, bruises, or sprains resulting in serious injury.

- NEVER pull starter cord without first relieving spray gun pressure.
- When starting engine, pull cord slowly until resistance is felt and then pull rapidly to avoid kickback.
- After each starting attempt, where engine fails to run, always point spray gun in safe direction, press red button and squeeze spray gun trigger to release high pressure.
- Firmly grasp spray gun with both hands when using high pressure spray to avoid injury when spray gun kicks back.

11. Return recoil starter slowly. DO NOT let rope “snap back” against starter.



NOTICE Always keep the throttle lever in the “Fast” position when operating the pressure washer.

▲ WARNING The high pressure stream of water that this equipment produces could cut through skin and its underlying tissues, resulting in serious injury and possible amputation.

 Spray gun traps high water pressure, even when engine is stopped and water is disconnected, which could result in serious injury.

- DO NOT allow CHILDREN to operate pressure washer.
- Keep high pressure hose connected to pump and spray gun while system is pressurized.
- NEVER aim spray gun at people, animals, or plants.
- DO NOT secure spray gun in open position.
- DO NOT leave spray gun unattended while machine is running.
- NEVER use a spray gun which does not have a trigger lock or trigger guard in place and in working order.
- Always be certain spray gun, nozzles and accessories are correctly attached.

▲ WARNING Exhaust heat/gases could ignite combustibles, structures or damage fuel tank causing a fire, resulting in death, serious injury and/or property damage.


  Contact with muffler area could cause burns resulting in serious injury.

- DO NOT touch hot parts and AVOID hot exhaust gases.
 - Allow equipment to cool before touching.
 - Keep at least 5 feet (152 cm) of clearance on all sides of pressure washer including overhead.
 - It is a violation of California Public Resource Code, Section 4442, to use or operate the engine on any forest-covered, brush-covered, or grass-covered land unless the exhaust system is equipped with a spark arrester, as defined in Section 4442, maintained in effective working order. Other states or federal jurisdictions may have similar laws.
- Contact the original equipment manufacturer, retailer, or dealer to obtain a spark arrester designed for the exhaust system installed on this engine.
- Replacement parts must be the same and installed in the same position as the original parts.

How to Stop Your Pressure Washer

1. Release spray gun trigger and let engine idle for two minutes.
2. Move throttle to SLOW position, then STOP position.
3. ALWAYS point spray gun in a safe direction, push red button and squeeze spray gun trigger to release retained high water pressure.

▲ WARNING The high pressure stream of water that this equipment produces could cut through skin and its underlying tissues, resulting in serious injury and possible amputation.

 Spray gun traps high water pressure, even when engine is stopped and water is disconnected, which could result in serious injury.

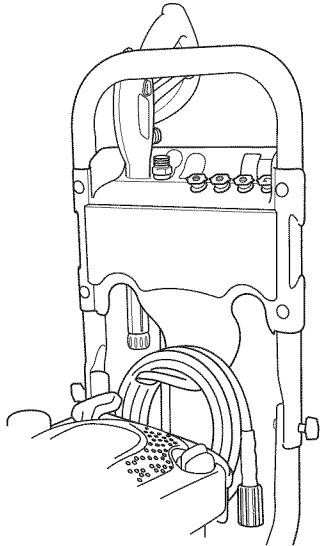
- Keep high pressure hose connected to pump and spray gun while system is pressurized.
- ALWAYS point spray gun in safe direction, press red button and squeeze spray gun trigger to release high pressure, every time you stop engine.

How to Use Accessory Tray

The unit is equipped with an accessory tray with places to store your spray gun, nozzle extension and quick connect spray tips. There is also a hook at the front of the accessory tray to hold your high pressure hose.

NOTICE The extra hole in the tray is for storing a utility brush. The extra clip in the tray is for storing a turbo spray tip. The brush and turbo nozzle are NOT included with your pressure washer. You can buy these items as optional accessories.

1. Place nozzle extension through hole on accessory tray, as shown.



2. Place spray gun through hole on accessory tray on right side of unit.
3. Insert multi-colored spray tips in spaces provided in accessory tray.
4. Hang high pressure hose on hook attached to accessory tray on front of tray as shown.

How to Use Spray Tips

The quick-connect on the nozzle extension allows you to switch between four different quick connect spray tips. The spray tips vary the spray pattern as shown.

Follow these instructions to change spray tips:

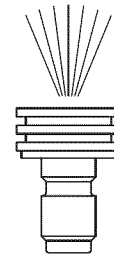
1. Pull back collar on quick-connect and pull current spray tip off. Store spray tips in holder provided on the accessory tray.

▲ WARNING The high pressure stream of water that this equipment produces could cut through skin and its underlying tissues, resulting in serious injury and possible amputation.



- NEVER exchange spray tips without the trigger lock being engaged on the spray gun.
- DO NOT twist spray tips while spraying.

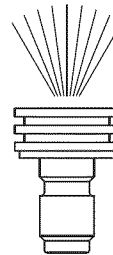
2. Select desired spray tip:



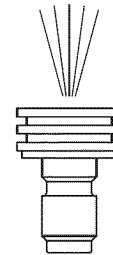
Low Pressure

Black
Use to apply
chemical

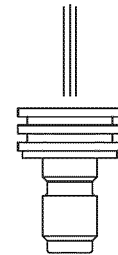
High Pressure



40° White
1750 PSI
2.3 GPM



15° Yellow
2200 PSI
2.2 GPM




0° Red
2500 PSI
2.0 GPM

- For delicate rinse (lower pressure and higher flow), for gentle cleaning of cars/trucks, boats, RV's, patio furniture, lawn equipment, etc., select white 40° spray tip.
 - For general rinsing (medium pressure and medium flow), ideal for most all purpose cleaning such as home siding, brick patios, wood decks, driveways and sidewalks, garage floors, etc., select yellow 15° spray tip.
 - For maximum rinsing (higher pressure and lower flow), for stubborn or hard to reach surface such as second story surfaces, paint removal, oil stains, rust removal or other stubborn substances (tar, gum, grease, wax, etc.), select red 0° spray tip.
 - To apply detergent, applies project specific cleaners to help break down stubborn dirt and grime on a variety of surfaces, select black detergent spray tip.
3. Pull back on collar, insert new spray tip and release collar. Tug on spray tip to make sure it is securely in place.

Usage Tips

- For most effective cleaning, keep spray tip from 8 to 24 inches (20 to 61 cm) away from cleaning surface.
- If you get spray tip too close, especially using a high pressure spray tip, you may damage surface being cleaned.
- DO NOT get closer than 6 inches (15 cm) when cleaning tires.

Cleaning and Applying Detergent

▲ WARNING Chemical Burn Hazard.
 Chemicals could cause burns resulting in death, serious injury, and/or property damage.

- DO NOT use caustic liquid with pressure washer.
- Use ONLY pressure washer safe detergents/soaps. Follow all manufacturers instructions.

To apply detergent, follow these steps:

1. Review use of spray tips.
2. Prepare detergent solution as required by job.
3. Place small filter end of detergent siphoning tube into detergent container.

NOTICE Make sure the filter is fully submerged in detergent while applying detergent.

NOTICE Contact with the hot muffler could damage detergent siphoning tube.

- When inserting the siphon into a detergent solution bottle, route the tube so as to keep it from inadvertently contacting the hot muffler.
4. Make sure black spray tip is installed.

NOTICE Detergent cannot be applied with the high pressure spray tips (White, Yellow or Red).

5. Make sure garden hose is connected to water inlet. Check that high pressure hose is connected to spray gun and pump. Turn on water.

NOTICE You must attach all hoses before you start the engine.

- Starting the engine without all the hoses connected and without the water turned ON could damage the pump.
- Damage to equipment resulting from failure to follow this instruction will void warranty.

6. Start engine following instructions *How to Start Your Pressure Washer*.
7. Apply detergent to a dry surface, starting at lower portion of area to be washed and work upward, using long, even, overlapping strokes.
8. Allow detergent to "soak in" for 3-5 minutes before washing and rinsing. Reapply as needed to prevent surface from drying. DO NOT allow detergent to dry on (prevents streaking).

IMPORTANT: You must flush the detergent siphoning system after each use by placing the filter into a bucket of clean water, then run the pressure washer in low pressure for 1-2 minutes.

Pressure Washer Rinsing

For Rinsing:

1. Remove black spray tip from nozzle extension.
2. Select and install desired high pressure spray tip following instructions *How to Use Spray Tips*.

3. Keep the spray gun a safe distance from the area you plan to spray.

▲ WARNING Kickback from spray gun could cause you to fall resulting in death or serious injury.



- Operate pressure washer from a stable surface.
- Be extremely careful if you must use the pressure washer from a ladder, scaffolding, or any other similar location.
- Firmly grasp spray gun with both hands when using high pressure spray to avoid injury when spray gun kicks back.

4. Apply a high pressure spray to a small area and then check surface for damage. If no damage is found, you can assume it is okay to continue rinsing.
5. Start at top of area to be rinsed, working down with same overlapping strokes as you used for cleaning.

Cleaning Detergent Siphoning Tube

If you used the detergent siphoning tube, you must flush it with clean water before stopping the engine.

1. Place detergent siphoning tube/filter in a bucket full of clean water.
2. Remove high pressure spray tip from nozzle extension.
3. Select and install black detergent spray tip following instructions *How to Use Spray Tips*.
4. Flush for 1-2 minutes.
5. Shut off engine following instructions *How to Stop Pressure Washer* and turn off water supply.
6. ALWAYS point spray gun in a safe direction push red button and squeeze spray gun trigger to release retained high water pressure.

▲ WARNING The high pressure stream of water that this equipment produces could cut through skin and its underlying tissues, resulting in serious injury and possible amputation.



Spray gun traps high water pressure, even when engine is stopped and water is disconnected, which could result in serious injury.

- Keep high pressure hose connected to pump and spray gun while system is pressurized.
- ALWAYS point spray gun in safe direction, press red button and squeeze spray gun trigger to release high pressure, every time you stop engine.

Automatic Cool Down System (Thermal Relief)

If you run the engine on your pressure washer for 3-5 minutes without pressing the trigger on the spray gun, circulating water in the pump can reach temperatures above 125°F. The system engages to cool the pump by **discharging the warm water onto the ground.**

SPECIFICATIONS

ENGINE TECHNICAL INFORMATION

This is a single cylinder, L-head, air cooled engine. It is a low emissions engine.

In the State of California, Model 120000 engines are certified by the California Air Resources Board to meet emissions standards for 125 hours. Such certification does not grant the purchaser, owner or operator of this engine any additional warranties with respect to the performance or operational life of this engine. The engine is warranted solely according to the product and emissions warranties stated elsewhere in this manual.

Power Ratings

The gross power rating for individual gas engine models is labeled in accordance with SAE (Society of Automotive Engineers) code J1940 (Small Engine Power & Torque Rating Procedure), and rating performance has been obtained and corrected in accordance with SAE J1995 (Revision 2002-05). Torque values are derived at 3060 RPM; horsepower values are derived at 3600 RPM. Net power values are taken with exhaust and air cleaner installed whereas gross power values are collected without these attachments. Actual gross engine power will be higher than net engine power and is affected by, among other things, ambient operating conditions and engine-to-engine variability. Given the wide array of products on which engines are placed, the gas engine may not develop the rated gross power when used in a given piece of power equipment. This difference is due to a variety of factors including, but not limited to, the variety of engine components (air cleaner, exhaust, charging, cooling, carburetor, fuel pump, etc.), application limitations, ambient operating conditions (temperature, humidity, altitude), and engine-to-engine variability. Due to manufacturing and capacity limitations, Briggs & Stratton may substitute an engine of higher rated power for this Series engine.

PRODUCT SPECIFICATIONS

Pressure Washer Specifications

Max Outlet Pressure 2,500 PSI*
Max Flow Rate 2.3 GPM
Detergent Mix Use as directed
Water Supply Temperature Not to exceed 100°F

Engine Specifications

Bore 2.69 in. (68mm)
Stroke 2.04 in. (52mm)
Displacement 11.57 in. (190 cc)
Spark Plug
Type: Briggs & Stratton 802592 or 5095
Set Gap To: 0.030inch (0.76mm)
Armature Air Gap: 0.006-0.010 in.(0.15-0.25mm)
Valve clearance with valve springs installed and piston 1/4 in. (6 mm) past top dead center (check when engine is cold).
Intake 0.005-0.007 in.(0.13-0.18 mm)
Exhaust 0.007-0.009 in.(0.18-0.23 mm)
Fuel Capacity 1.6 Quarts
Oil Capacity 18 Ounces (0.5 liter)

NOTICE For practical operation, the engine load should not exceed 85% of rated power. Engine power will decrease 3-1/2% for each 1,000 feet (300 meters) above sea level and 1% for each 10° F (5.6° C) above 77° F (25° C). It should operate satisfactorily at an angle up to 15°.

* This pressure washer is rated in accordance to the Pressure Washer Manufacturers Association (PWMA) standard PW101 (Testing and Rating Performance of Pressure Washers).

MAINTENANCE

OWNER'S RESPONSIBILITIES

Follow the hourly or calendar intervals, whichever occurs first. More frequent service is required when operating in adverse conditions noted below.

First 5 Hours
<ul style="list-style-type: none">• Change engine oil
Every 8 Hours or Daily
<ul style="list-style-type: none">• Check/clean water inlet screen¹• Check high pressure hose• Check detergent siphoning hose• Check spray gun and assembly for leaks• Clean debris• Check engine oil level
Every 25 Hours or Yearly
<ul style="list-style-type: none">• Service engine air cleaner²
Every 50 Hours or Yearly
<ul style="list-style-type: none">• Change engine oil²• Inspect muffler and spark arrester
Every 100 Hours or Yearly
<ul style="list-style-type: none">• Service spark plug• Clean cooling system²

¹ Clean if clogged. Replace if perforated or torn.

² Service more often under dirty or dusty conditions.

General Recommendations

Regular maintenance will improve the performance and extend the life of the pressure washer. See any Sears or other qualified service dealer for service.

The pressure washer warranty does not cover items that have been subjected to operator abuse or negligence. To receive full value from the warranty, the operator must maintain pressure washer as instructed in this manual including proper storage as detailed in *Storage*.

Some adjustments will need to be made periodically to properly maintain your pressure washer.

All service and adjustments should be made at least once each season. Follow the requirements in the *Maintenance Schedule* chart above.

NOTICE Once a year you should clean or replace the spark plug and replace the air filter. A new spark plug and clean air filter assure proper fuel-air mixture and help your engine run better and last longer.

Pump Oil

DO NOT attempt any oil maintenance on this pump. The pump is pre-lubricated and sealed from the factory, requiring no additional maintenance for the life of the pump.

Emissions Control

Maintenance, replacement, or repair of the emissions control devices and systems may be performed by any non-road engine repair establishment or individual. However, to obtain "no charge" emissions control service, the work must be performed by a factory authorized dealer. See the *Emissions Warranty*.

Before Each Use

1. Check engine oil level.
2. Clean debris.
3. Check water inlet screen for damage.
4. Check high pressure hose for leaks.
5. Check gun and nozzle extension assembly for leaks.
6. Purge pump of air and contaminants.

PRESSURE WASHER MAINTENANCE

Clean Debris

Daily or before use, clean accumulated debris from pressure washer. Keep linkage, spring and controls clean. Keep area around and behind muffler free from any combustible debris. Inspect cooling air slots and openings on the pressure washer. These openings must be kept clean and unobstructed.

Pressure washer parts should be kept clean to reduce the risk of overheating and ignition of accumulated debris.

- Use a damp cloth to wipe exterior surfaces clean.

NOTICE Improper treatment of pressure washer could damage it and shorten its life.

- DO NOT insert any objects through cooling slots.

- Use a soft bristle brush to loosen caked on dirt, oil, etc.
- Use a vacuum cleaner to pick up loose dirt and debris.

Check and Clean Inlet Screen

Examine garden hose inlet screen. Clean if it is clogged or replace if it is torn.

Check High Pressure Hose

High pressure hoses can develop leaks from wear, kinking, or abuse. Inspect hose before each use. Check for cuts, leaks, abrasions, bulging of cover, or damage or movement of couplings. If any of these conditions exist, replace hose immediately.

- ▲ WARNING** The high pressure stream of water that this equipment produces could cut through skin and its underlying tissues, resulting in serious injury and possible amputation.
- NEVER repair high pressure hose. Replace it.
 - Replacement hose rating MUST equal or exceed maximum pressure rating of unit.

Check Detergent Siphoning Tube


Examine the filter on the detergent tube and clean if clogged. The tube should fit tightly on the barbed fitting. Examine the tube for leaks or tears. Replace the filter or tube if either is damaged.

Detergent Siphoning Check Ball

Occasionally check ball in detergent siphoning system may become stuck from storage, dried soap, or minerals in water. The check ball can be freed by performing the following:

NOTICE Before performing this procedure, be sure you are wearing safety goggles as described below.


▲ WARNING Risk of eye injury.

 Spray could splash back or propel objects resulting in serious injury.

- Always wear indirect vented (chemical splash) safety goggles marked to comply with ANSI Z87.1 when using or in vicinity of this equipment.
- NEVER substitute safety glasses or dry-condition goggles for indirect vented safety goggles.

1. Shut off engine and turn off water supply.
2. ALWAYS point spray gun in a safe direction, press red button and squeeze spray gun trigger to release retained high water pressure.

▲ WARNING The high pressure stream of water that this equipment produces could cut through skin and its underlying tissues, resulting in serious injury and possible amputation.

 Spray gun traps high water pressure, even when engine is stopped and water is disconnected, which could result in serious injury.

- Keep high pressure hose connected to pump and spray gun while system is pressurized.
- ALWAYS point spray gun in safe direction, press red button and squeeze spray gun trigger to release high pressure, every time you stop engine.

3. Remove detergent siphoning hose from barbed fitting on pump.
4. Using a firm, blunt object 7/64" in diameter or smaller, by at least 1" long, such as an Allen wrench, slowly insert the object into the barbed fitting until you meet resistance. This resistance is the check ball.
5. Slowly push down until you feel the ball move slightly, push no more than 1/8". Slight pressure may be required to free the ball.
6. Repeat steps 4 and 5 if necessary.
7. Reinstall detergent siphoning hose onto barb fitting.
8. Treat with PumpSaver as described in *Protecting the Pump* during storage to prevent reoccurrence.

Check Spray Gun and Nozzle Extension


Examine hose connection to spray gun and make sure it is secure. Test trigger by pressing it and making sure it springs back into place when you release it. Do not depress red button and test trigger. You should not be able to press trigger. Replace spray gun immediately if it fails any of these tests.

Spray Tip Maintenance

A pulsing sensation felt while squeezing the spray gun trigger may be caused by excessive pump pressure. The principal cause of excessive pump pressure is a spray tip clogged or restricted with foreign materials, such as dirt, etc. To correct the problem, immediately clean the spray tip following these instructions:

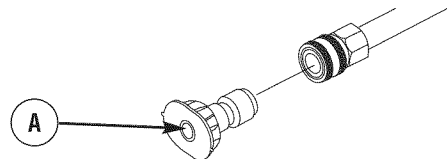
1. Shut off engine and turn off water supply.
2. ALWAYS point spray gun in a safe direction, press red button and and squeeze spray gun trigger to release retained high water pressure.

▲ WARNING The high pressure stream of water that this equipment produces could cut through skin and its underlying tissues, resulting in serious injury and possible amputation.

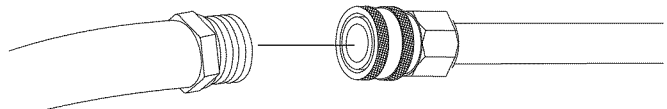
 Spray gun traps high water pressure, even when engine is stopped and water is disconnected, which could result in serious injury.

- Keep high pressure hose connected to pump and spray gun while system is pressurized.
- ALWAYS point spray gun in safe direction, press red button and squeeze spray gun trigger to release high pressure, every time you stop engine.

3. Remove spray tip from end of nozzle extension.
4. Use a small paper clip to free any foreign material clogging or restricting spray tip (A).



5. Remove nozzle extension from spray gun.
6. Using a garden hose, remove additional debris by back flushing water through nozzle extension. Back flush between 30 to 60 seconds.



7. Reinstall spray tip into nozzle extension.
8. Reconnect nozzle extension to spray gun.
9. Make sure garden hose is connected to water inlet. Check that high pressure hose is connected to spray gun and pump. Turn on water.
10. Start engine following instructions *How to Start Your Pressure Washer*.
11. Test pressure washer by operating with each quick connect spray tip.

O-Ring Maintenance

Purchase an O-Ring Repair Kit, item 7175116, at your local Sears or by calling **1-800-4-MY-HOME (469-4663)** or online at www.sears.com. It is not included with the pressure washer. This kit includes replacement o-rings and a water inlet filter. Refer to the instruction sheet provided in the kit to service your unit's o-rings.

- ▲ WARNING** The high pressure stream of water that this equipment produces could cut through skin and its underlying tissues, resulting in serious injury and possible amputation.
- NEVER repair leaking connections with sealant of any kind. Replace o-ring or seal.

ENGINE MAINTENANCE

- ▲ WARNING** Unintentional sparking could cause fire or electric shock resulting in death or serious injury.

WHEN ADJUSTING OR MAKING REPAIRS TO YOUR PRESSURE WASHER

- Disconnect the spark plug wire from the spark plug and place the wire where it cannot contact spark plug.

WHEN TESTING FOR ENGINE SPARK

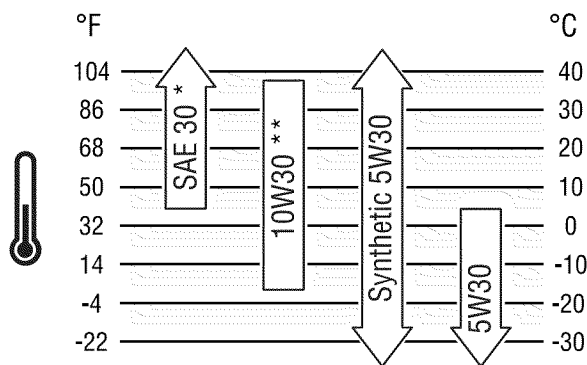
- Use approved spark plug tester.
- DO NOT check for spark with spark plug removed.

Oil

Oil Recommendations

We recommend the use of Briggs & Stratton Warranty Certified oils for best performance. Other high-quality detergent oils are acceptable if classified for service SF, SG, SH, SJ or higher. DO NOT use special additives.

Outdoor temperatures determine the proper oil viscosity for the engine. Use the chart to select the best viscosity for the outdoor temperature range expected.



* Below 40°F (4°C) the use of SAE 30 will result in hard starting.

** Above 80°F (27°C) the use of 10W30 may cause increased oil consumption. Check oil level more frequently.

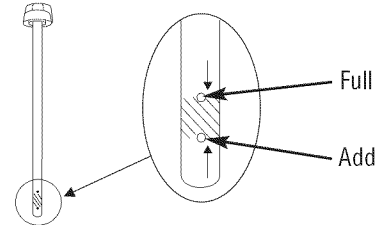


NOTICE Synthetic oil meeting ILSAC GF-2, API certification mark and API service symbol with "SJ/CF ENERGY CONSERVING" or higher, is an acceptable oil at all temperatures. Use of synthetic oil does not alter required oil change intervals.

Checking Oil Level

Oil level should be checked prior to each use or at least every 8 hours of operation. Keep oil level maintained.

1. Make sure pressure washer is on a level surface.
2. Remove oil dipstick and wipe dipstick with clean cloth. Replace and tighten dipstick. Remove and check oil level.
3. Verify oil is at FULL mark (top hole) on dipstick. Replace and tighten dipstick.



Adding Engine Oil

1. Make sure pressure washer is on a level surface.
2. Check oil level as described in *Checking Oil Level*.
3. If needed, slowly pour oil into oil fill opening to the FULL mark on dipstick. DO NOT overfill.

NOTICE Overfilling with oil could cause the engine to not start, or hard starting.

- DO NOT overfill.
- If over the FULL mark on dipstick, drain oil to reduce oil level to FULL mark on dipstick.

4. Replace and tighten dipstick.

Changing Engine Oil

If you are using your pressure washer under extremely dirty or dusty conditions, or in extremely hot weather, change oil more often.

- ▲ CAUTION** Avoid prolonged or repeated skin contact with used motor oil.
- Used motor oil has been shown to cause skin cancer in certain laboratory animals.
 - Thoroughly wash exposed areas with soap and water.



KEEP OUT OF REACH OF CHILDREN. DON'T POLLUTE. CONSERVE RESOURCES. RETURN USED OIL TO COLLECTION CENTERS.

Change oil while engine is still warm from running, as follows:

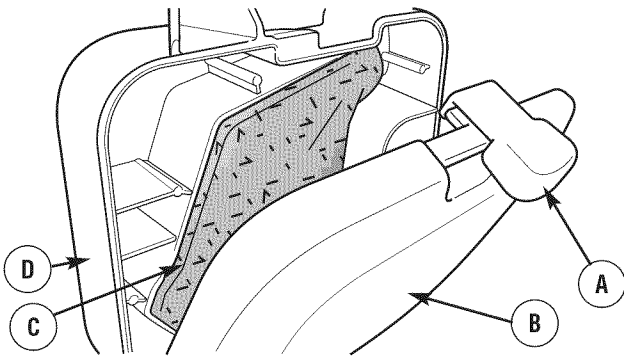
1. Drain fuel tank by running pressure washer until fuel tank is empty.
2. Disconnect spark plug wire and keep it away from spark plug.
3. Clean area around oil fill, remove oil fill cap/dipstick. Wipe dipstick clean.
4. Tip your pressure washer to drain oil from oil fill into a suitable container making sure you tip your unit away from spark plug. When crankcase is empty, return pressure washer to upright position.
5. Slowly pour recommended oil (about 18 oz.) into oil fill opening. Pause to permit oil to settle. Fill to FULL mark (top hole) on dipstick.
6. Wipe dipstick clean each time oil level is checked. DO NOT overfill.
7. Replace and tighten dipstick.
8. Wipe up any remaining oil.
9. Reconnect spark plug wire to spark plug.

Service Air Cleaner

Your engine will not run properly and may be damaged if you run it with a dirty air cleaner. Service more often if operating under dirty or dusty conditions. Replacements are available at your local Sears service center.

To service the air cleaner, follow these steps:

1. Slide air cleaner lever (A) to unlock (🔒) position and tilt cover (B) down.



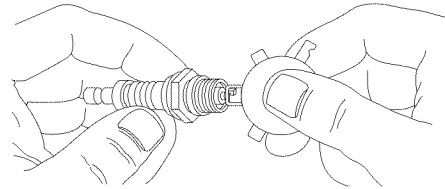
2. Carefully remove air cleaner to prevent debris from falling into carburetor.
3. Wash foam air cleaner (C) in liquid detergent and water. Squeeze dry in a clean cloth.
4. SATURATE foam air cleaner in engine oil and squeeze in a clean cloth to remove excess oil.
5. Reinstall clean or new foam air cleaner in base (D).
6. Tilt cover up and slide lever to lock (🔒) position.

NOTICE You can purchase new air filter elements by calling 1-800-4-MY-HOME (469-4663).

Service Spark Plug

Changing the spark plug will help your engine to start easier and run better.

1. Clean area around spark plug.
2. Remove and inspect spark plug.
3. Replace spark plug if electrodes are pitted, burned or porcelain is cracked. Use the recommended replacement plug. See *Specifications*.
4. Check electrode gap with wire feeler gauge and reset spark plug gap to recommended gap if necessary (see *Specifications*).



5. Install spark plug and tighten firmly.

NOTICE You can purchase a new spark plug by calling 1-800-4-MY-HOME (469-4663).

Inspect Muffler and Spark Arrester

Inspect the muffler for cracks, corrosion, or other damage. Remove the spark arrester, if equipped, and inspect for damage or carbon blockage. If replacement parts are required, make sure to use only original equipment replacement parts.

▲ WARNING Exhaust heat/gases could ignite combustibles, structures or damage fuel tank causing a fire, resulting in death, serious injury and/or property damage.

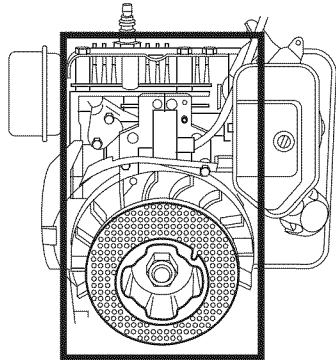
Contact with muffler area could cause burns resulting in serious injury.

- DO NOT touch hot parts and AVOID hot exhaust gases.
 - Allow equipment to cool before touching.
 - Keep at least 5 feet (152 cm) of clearance on all sides of pressure washer including overhead.
 - It is a violation of California Public Resource Code, Section 4442, to use or operate the engine on any forest-covered, brush-covered, or grass-covered land unless the exhaust system is equipped with a spark arrester, as defined in Section 4442, maintained in effective working order. Other states or federal jurisdictions may have similar laws.
- Contact the original equipment manufacturer, retailer, or dealer to obtain a spark arrester designed for the exhaust system installed on this engine.
- Replacement parts must be the same and installed in the same position as the original parts.

Air Cooling System

Over time debris may accumulate in cylinder cooling fins and cannot be observed without partial engine disassembly. For this reason, we recommend you have a qualified Sears service dealer clean the cooling system per recommended intervals (see *Maintenance Schedule*). Equally important is to keep top of engine free from debris. See *Clean Debris*.

Keep areas within heavy line clear of debris.



Carburetor Adjustment

The carburetor on this engine is low emission. It is equipped with a non-adjustable idle mixture valve. Top speed has been set at the factory. If adjustment is required, see an authorized service dealer.

- ▲ CAUTION** Excessively high operating speeds could result in minor injury and/or pressure washer damage. Excessively low speeds impose a heavy load.
- DO NOT tamper with governor spring, links or other parts to increase engine speed. Pressure washer supplies correct rated pressure and flow when running at governed speed.
 - DO NOT modify pressure washer in any way.

AFTER EACH USE

Water should not remain in the unit for long periods of time. Sediments or minerals can deposit on pump parts and “freeze” pump action. Follow these procedures after every use:

1. Shut off engine, turn off water supply, point gun in a safe direction, press red button and squeeze trigger to relieve trapped pressure and let engine cool.

▲ WARNING The high pressure stream of water that this equipment produces could cut through skin and its underlying tissues, resulting in serious injury and possible amputation.

Spray gun traps high water pressure, even when engine is stopped and water is disconnected, which could result in serious injury.

- Keep high pressure hose connected to pump and spray gun while system is pressurized.
 - ALWAYS point spray gun in safe direction, press red button and squeeze spray gun trigger to release high pressure, every time you stop engine.
2. Disconnect hose from spray gun and high pressure outlet on pump. Drain water from hose, gun, and nozzle extension. Use a rag to wipe off the hose.
 3. Place the spray gun and nozzle extension in the accessory tray. Hang high pressure hose on hook attached to accessory tray.
 4. Empty pump of all pumped liquids by pulling recoil handle about 6 times. This should remove most liquid in pump.
 5. Store unit in a clean, dry area.
 6. If storing for more than 30 days see *Long Term Storage* on next page.

▲ WARNING Fuel and its vapors are extremely flammable and explosive which could cause burns, fire or explosion resulting in death, serious injury and/or property damage.

WHEN STORING FUEL OR EQUIPMENT WITH FUEL IN TANK

- Store away from furnaces, stoves, water heaters, clothes dryers, or other appliances that have pilot light or other ignition source because they could ignite fuel vapors.

STORAGE

WINTER STORAGE

NOTICE You must protect your unit from freezing temperatures.

- Failure to do so will permanently damage your pump and render your unit inoperable.
- Freeze damage is not covered under warranty.

To protect the unit from freezing temperatures:

1. Follow steps 1-4 in the previous section *After Each Use*.
2. Use pump saver, available at Sears retail item 7174403, to treat pump. This minimizes freeze damage and lubricates pistons and seals.
3. If pump saver is not available, connect a 3-foot section of garden hose to water inlet adapter. Pour RV-antifreeze (antifreeze without alcohol) into hose. Pull recoil handle twice. Disconnect 3-foot hose.
4. Store unit in a clean, dry area.

LONG TERM STORAGE

If you do not plan to use the pressure washer for more than 30 days, you must prepare the engine and pump for long term storage.

It is important to prevent gum deposits from forming in essential fuel system parts such as the carburetor, fuel filter, fuel hose or tank during storage. Also, experience indicates that alcohol-blended fuels (called gasohol, ethanol or methanol) can attract moisture, which leads to separation and formation of acids during storage. Acidic gas can damage the fuel system of an engine while in storage.

Protect Fuel System

Fuel Additive:

Fuel can become stale when stored over 30 days. Stale fuel causes acid and gum deposits to form in the fuel system or on essential carburetor parts. To keep fuel fresh, use Briggs & Stratton FRESH START® fuel stabilizer, available as a liquid additive or a drip concentrate cartridge.

There is no need to drain gasoline from the engine if a fuel stabilizer is added according to instructions. Run the engine for 2 minutes to circulate the stabilizer throughout the fuel system. The engine and fuel can then be stored up to 24 months.

If gasoline in the engine has not been treated with a fuel stabilizer, it must be drained into an approved container. Run the engine until it stops from lack of fuel. The use of a fuel stabilizer in the storage container is recommended to maintain freshness.

Change Oil

While engine is still warm, drain oil from crankcase. Refill with recommended grade. See *Changing Engine Oil*.

Protect Pump

To protect the pump from damage caused by mineral deposits or freezing, use PumpSaver, item 7174403, to treat pump. This prevents freeze damage and lubricates pistons and seals.

NOTICE PumpSaver is available as an optional accessory. It is not included with the pressure washer. Contact your local Sears service center to purchase PumpSaver.

NOTICE You must protect your unit from freezing temperatures.

- Failure to do so will permanently damage your pump and render your unit inoperable.
- Freeze damage is not covered under warranty.

To use PumpSaver, make sure the pressure washer is turned off and disconnected from supply water. Read and follow all instructions and warnings given on the PumpSaver container.

Other Storage Tips

1. DO NOT store fuel from one season to another unless it has been treated as described in *Protect Fuel System*.
2. Replace fuel container if it starts to rust. Rust and/or dirt in fuel can cause problems if it's used with this unit.
3. Cover unit with a suitable protective cover that does not retain moisture.

▲ WARNING Storage covers could cause a fire resulting in death, serious injury and/or property damage.

- DO NOT place a storage cover over a hot pressure washer.
- Let equipment cool for a sufficient time before placing the cover on the equipment.

4. Store unit in a clean and dry area.

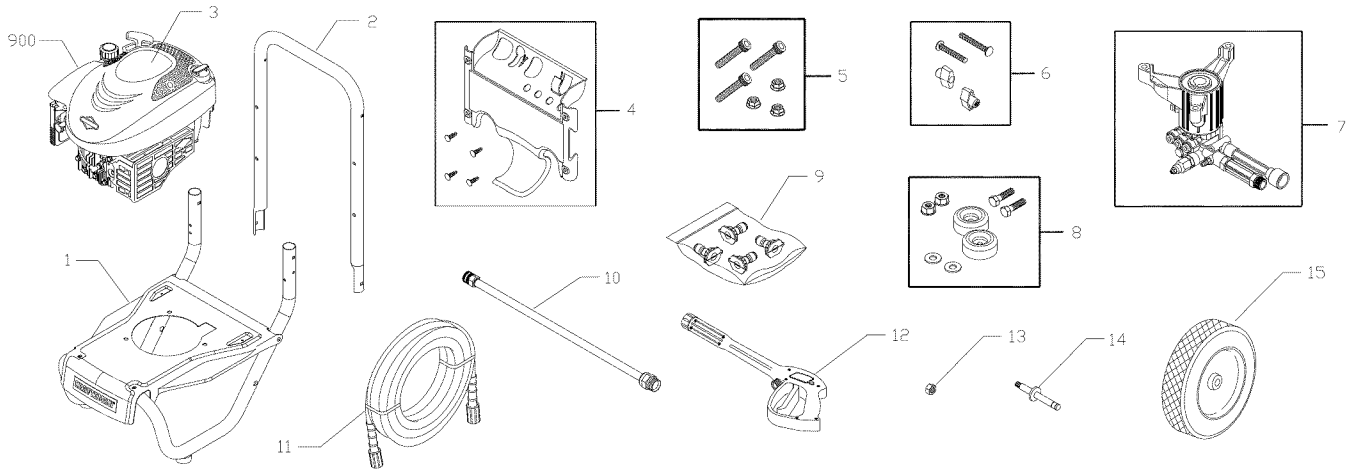
TROUBLESHOOTING

Problem	Cause	Correction
Pump has following problems: failure to produce pressure, erratic pressure, chattering, loss of pressure, low water volume.	<ol style="list-style-type: none"> 1. Water inlet is blocked. 2. Inadequate water supply. 3. Inlet hose is kinked or leaking. 4. Clogged inlet hose strainer. 5. Water supply is over 100°F. 6. High pressure hose is blocked or leaks. 7. Gun leaks. 8. Spray tip is obstructed. 9. Pump is faulty. 	<ol style="list-style-type: none"> 1. Clear inlet. 2. Provide adequate water flow. 3. Straighten inlet hose, patch leak. 4. Check and clean inlet hose strainer. 5. Provide cooler water supply. 6. Clear blocks in high pressure hose or replace hose. 7. Replace gun. 8. Clean spray tip. 9. Contact Sears service facility.
Detergent fails to mix with spray.	<ol style="list-style-type: none"> 1. Detergent siphoning tube is not submerged. 2. Detergent siphoning tube/filter is clogged or cracked. 3. High pressure spray tip installed. 4. Detergent siphoning check ball stuck. 	<ol style="list-style-type: none"> 1. Insert detergent siphoning tube into detergent. 2. Clean or replace filter/detergent siphoning tube. 3. Replace high pressure spray tip with black spray tip. 4. Free detergent siphoning check ball.
Engine runs good at no-load but "bogs" when load is added.	Engine speed is too slow.	Move throttle lever to FAST position. If engine still "bogs down", contact Sears service facility.
Engine will not start; starts and runs rough or shuts down during operation.	<ol style="list-style-type: none"> 1. Throttle lever in STOP position. 2. Dirty air cleaner. 3. Out of fuel. 4. Stale fuel. 5. Spark plug wire not connected to spark plug. 6. Bad spark plug. 7. Water in fuel. 8. Overchoking. 9. Excessively rich fuel mixture. 	<ol style="list-style-type: none"> 1. Move throttle lever to FAST position. 2. Clean or replace air cleaner. 3. Fill fuel tank. 4. Drain fuel tank; fill with fresh fuel. 5. Connect wire to spark plug. 6. Replace spark plug. 7. Drain fuel tank; fill with fresh fuel. 8. Open choke fully and crank engine. 9. Contact Sears service facility.
Engine lacks power.	Dirty air filter.	Replace air filter.

NOTES

PARTS

CRAFTSMAN 2500 PSI Pressure Washer 580.752561 Main Unit — Exploded View and Parts List



Item	Part #	Description
1	312011GS	BASE
2	204650BUGS	HANDLE
3	208648GS	DECAL
4	311094GS	BILLBOARD
	B1797GS	CLIP
5	203526GS	KIT-HARDWARE PUMP MOUNTING
6	B2203GS	KIT-HARDWARE HANDLE
7	202274GS	PUMP
8	192310GS	MOUNT-VIBRATION
9	204971GS	KIT-QC NOZZLES
	195983AEGS	NOZZLE-QC RED
	195983RGS	NOZZLE-QC WHITE
	195983XGS	NOZZLE-QC YELLOW
	198841GS	NOZZLE-QC BLACK
10	200595GS	EXTENSION-QC
11	196006GS	HOSE
12	204627GS	GUN
13	015X68MA	NUT
14	313032GS	AXLE
15	208402GS	WHEEL
900	NSP	ENGINE (126L02-0150-F1) (see pages 26-29)

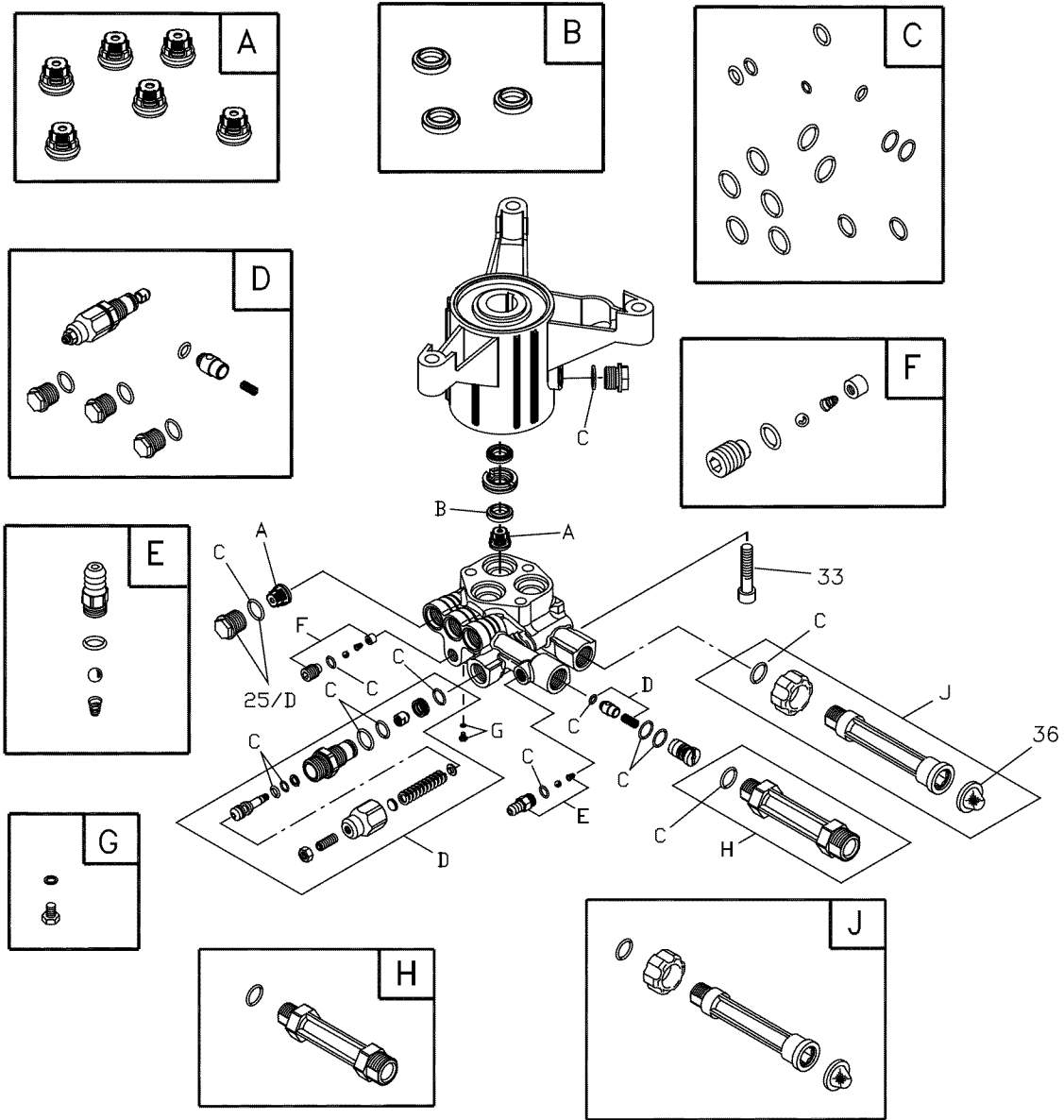
Parts Not Illustrated

Part #	Description
313634GS	MANUAL-OPERATOR
AB3061BGS	OIL
192050GS	E-RING
794693	DECAL-Warning
208538GS	DECAL-Spark
310975GS	HOSE-CHEMICAL
23139GS	KEY
699864	COVER-LABEL/ASSY
194256GS	TAG-WARNING

Optional Accessories Not Illustrated

7175187	Garden Hose Quick Connect
7175197	Accessory Quick Connect
7175124	Rotating Brush Kit
7175122	30' Replacement Hose
7175116	O Ring Repair Kit
7175129	Turbo Nozzle
7175121	25' Extension Hose
7174402	Hose Reel
7174403	Pump Saver
7174404	Project Pro® PerfectMix™ Multi-Purpose and Vehicle Cleaner
7174405	Project Pro® PerfectMix™ Concrete, Brick, and Tile Cleaner
7174406	Project Pro® PerfectMix™ Mold and Mildew Cleaner

**CRAFTSMAN 2500 PSI Pressure Washer 580.752561
Pump — Exploded View and Parts List**



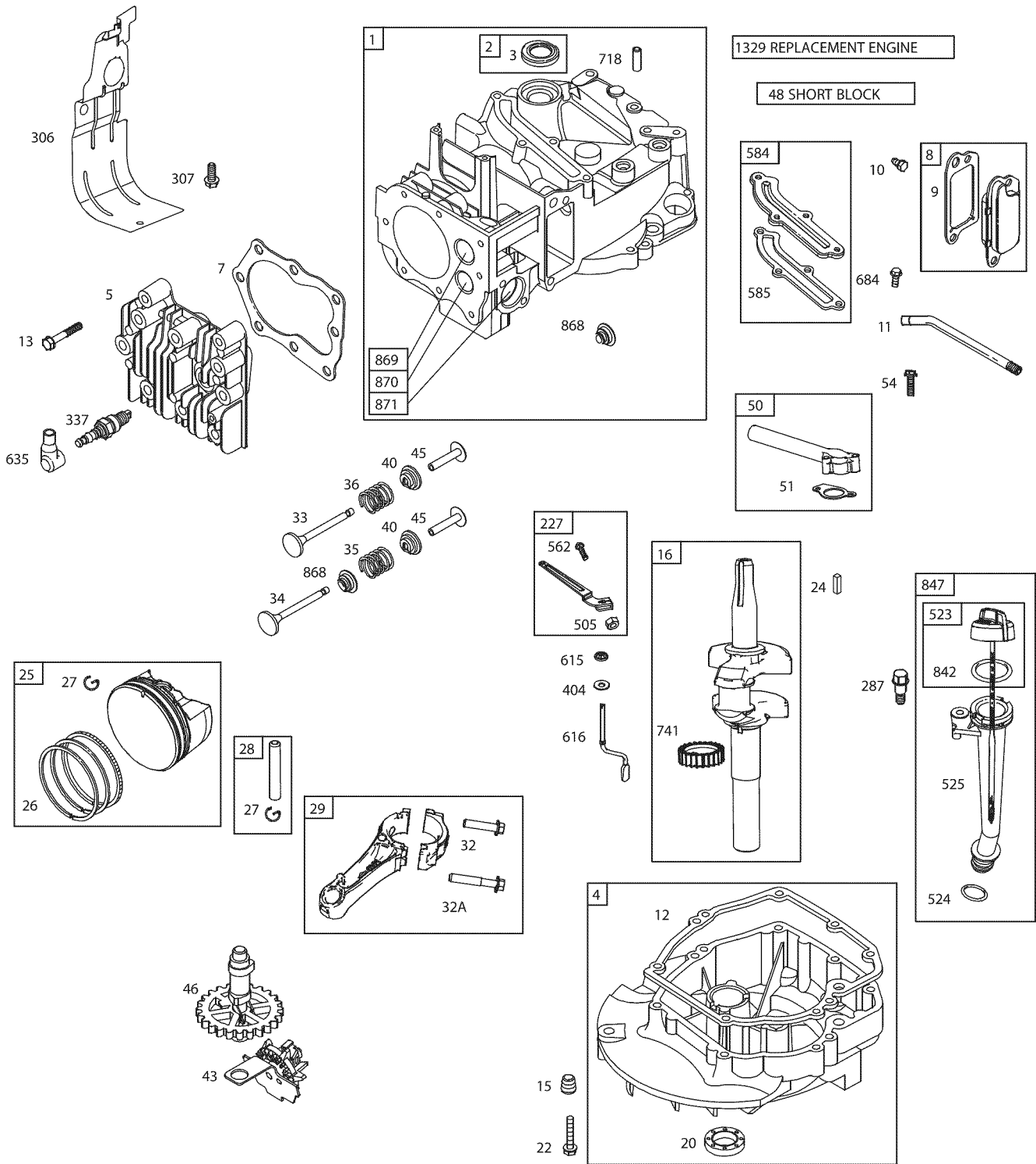
Item	Part #	Description
25	201495GS	PLUG
33	200275GS	SCREW
36	B2384GS	FILTER-GARDEN HOSE
A	200344GS	KIT-CHECK VALVE
B	200345GS	KIT-WATER SEAL
C	200346GS	KIT-O-RING
D	202328GS	KIT-UNLOADER
E	192914GS	KIT-CHEMICAL INJ

Item	Part #	Description
F	200349GS	KIT-EASY START
G	200350GS	SCREW-GRUB
H	201497GS	FITTING
J	201496GS	KIT-WATER INLET

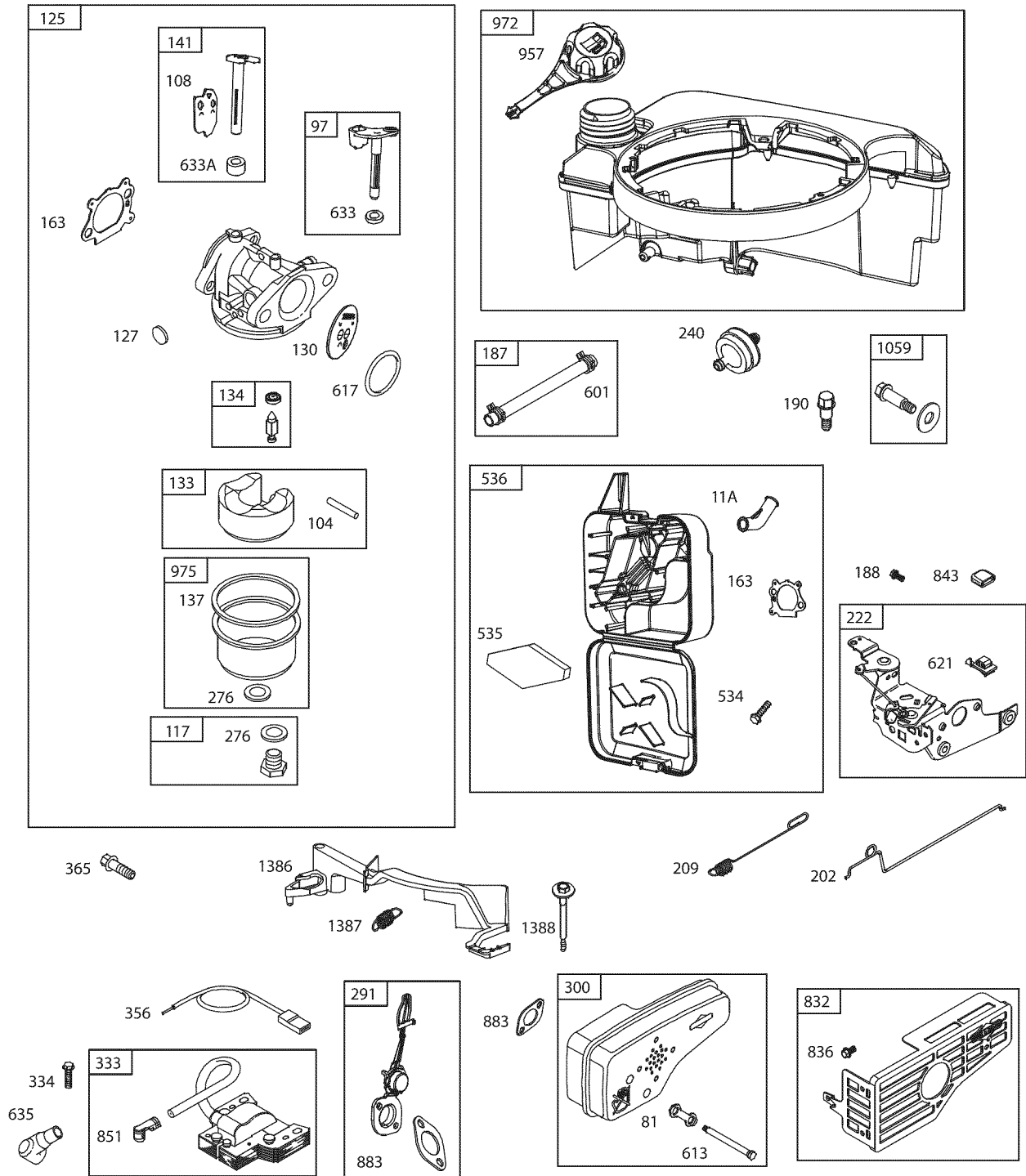
Parts Not Illustrated

Part #	Description
208673GS	VALVE-THERMO RELIEF

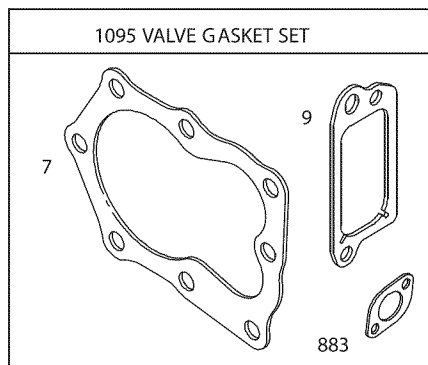
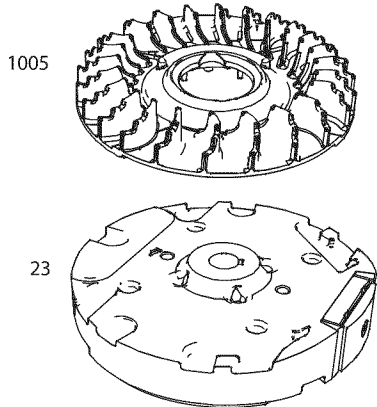
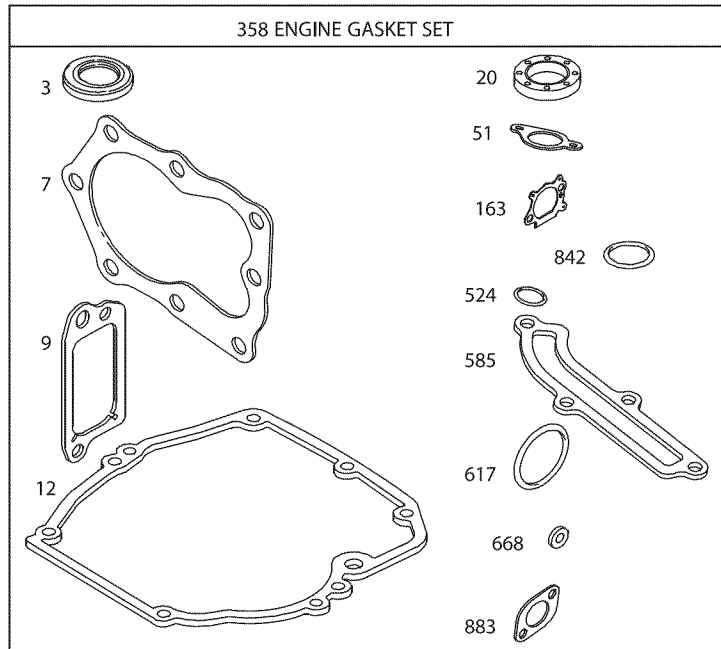
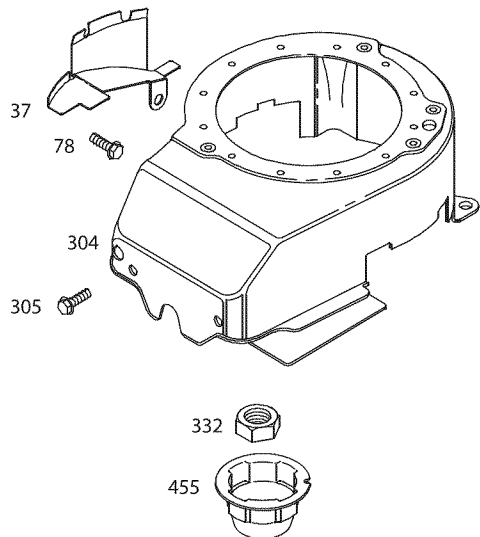
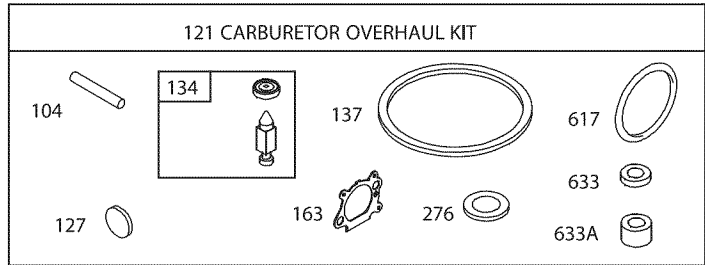
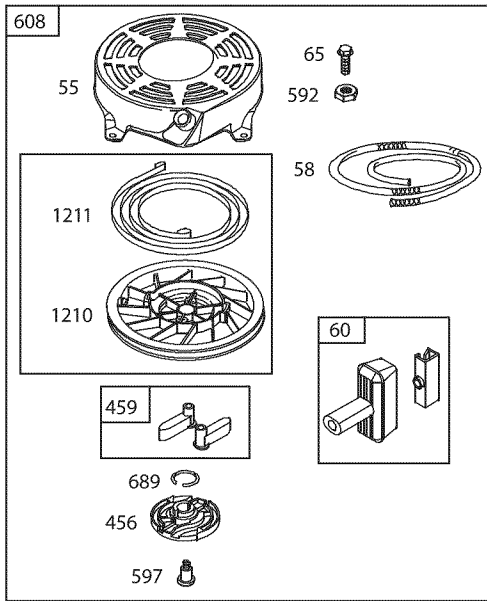
ENGINE, Briggs & Stratton, 126L02 – Exploded View



ENGINE, Briggs & Stratton, 126L02 – Exploded View



ENGINE, Briggs & Stratton, 126L02 – Exploded View



ENGINE, Briggs & Stratton, 126L02 – Parts List

Item	Part #	Description	Item	Part #	Description
1	697322	Cylinder Assembly	240	298090s	Filter-Fuel
2	399269	Kit-Bushing/Seal (Magneto Side)	276	271716	Washer-Sealing
3	299819s	Seal-Oil (Magneto Side)	287	690940	Screw (Dipstick Tube)
4	493279	Sump-Engine	291	790830	Thermostat
5	691160	Head-Cylinder	300	790828	Muffler
7	692249	Gasket-Cylinder Head	304	791291	Housing-Blower
8	695250	Breather Assembly	305	691108	Screw (Blower Housing)
9	699472	Gasket-Breather	306	790836	Shield-Cylinder
10	691125	Screw (Breather Assembly)	307	690345	Screw (Cylinder Shield)
11	691781	Tube-Breather	332	690662	Nut (Flywheel)
11A	691923	Tube-Breather (Air Cleaner)	333	802574	Armature-Magneto
12	692232	Gasket-Crankcase	334	691061	Screw (Magneto Armature)
13	690912	Screw (Cylinder Head)	337	796112s	Plug-Spark
15	691680	Plug-Oil Drain	356	692390	Wire-Stop
16	797372	Crankshaft	358	794307	Gasket Set-Engine
20	399781s	Seal-Oil (PTO Side)	365	691688	Screw (Carburetor)
22	691092	Screw (Crankcase Cover/Sump)	404	690272	Washer (Governor Crank)
23	790536	Flywheel	455	791960	Cup-Flywheel
24	222698s	Key-Flywheel	456	692299	Plate-Pawl Friction
25	797302	Piston Assembly (Standard)	459	281505s	Pawl-Ratchet
	797303	Piston Assembly (.020" Oversize)	505	691251	Nut (Governor Control Lever)
26	797304	Ring Set (Standard)	523	499621	Dipstick
	797305	Ring Set (.020" Oversize)	524	692296	Seal-Dipstick Tube
27	691588	Lock-Piston Pin	525	495265	Tube-Dipstick
28	298909	Pin-Piston	534	798294	Screw (Air Cleaner)
29	797306	Rod-Connecting	535	797301	Filter-Air Cleaner Foam
30	694692	Dipper-Connecting Rod	536	798293	Cleaner-Air
32	691664	Screw (Connecting Rod) (1/4-28x1.09)	562	691119	Bolt (Governor Control Lever)
32A	695759	Screw (Connecting Rod) (1/4-28x1.52)	584	697734	Cover-Breather Passage
33	262651s	Valve-Exhaust	585	691879	Gasket-Breather Passage
34	262652s	Valve-Intake	592	690800	Nut (Rewind Starter)
35	691270	Spring-Valve (Intake)	597	691696	Screw (Pawl Friction Plate)
36	691270	Spring-Valve (Exhaust)	601	791850	Clamp-Hose (Green)
37	793756	Guard-Flywheel	608	497680	Starter-Rewind
40	692194	Retainer-Valve	613	790833	Screw (Muffler)
43	691997	Slinger-Governor/Oil	615	690340	Retainer-Governor Shaft
45	690548	Tappet-Valve	616	698801	Crank-Governor
46	691449	Camshaft	617	270344s	Seal-O Ring (Intake Manifold)
48	792440	Short Block	621	692310	Switch-Stop
50	794305	Manifold-Intake	633	691321	Seal-Choke/Throttle Shaft (Throttle Shaft)
51	794306	Gasket-Intake	635	66538s	Boot-Spark Plug
54	691650	Screw (Intake Manifold)	684	690345	Screw (Breather Passage Cover)
55	691421	Housing-Rewind Starter	689	691855	Spring-Friction (Rewind Starter)
58	691921	Rope-Starter	718	690959	Pin-Locating
60	493926	Grip-Starter Rope	741	797521	Gear-Timing
65	690837	Screw (Rewind Starter)	832	499034	Guard-Muffler
78	691108	Screw (Flywheel Guard)	836	690664	Screw (Muffler Guard)
81	691740	Lock-Muffler Screw	842	691031	Seal-O Ring (Dipstick)
97	696565	Shaft-Throttle	843	691884	Sleeve-Lever (Control Bracket)
104	691242	Pin-Float Hinge	847	692047	Dipstick/Tube Assembly
108	795935	Valve-Choke	851	493880s	Terminal-Spark Plug
117	695042	Jet-Main (Standard)	868	697338	Seal-Valve
121	498260	Kit-Carburetor Overhaul	869	691155	Seal-Valve
125	798280	Carburetor	870	690380	Seat-Valve (Intake)
127	694468	Plug-Welch	871	262001	Bushing-Valve Guide (Exhaust)
130	696564	Valve-Throttle	63709		Bushing-Valve Guide (Intake)
133	398187	Float-Carburetor	883	691881	Gasket-Exhaust
134	398188	Kit-Needle/Seat	957	794793	Cap-Fuel Tank
137	796610	Gasket-Float Bowl	972	796578	Tank-Fuel
141	796193	Kit-Choke Shaft	975	796611	Bowl-Float
163	795629	Gasket-Air Cleaner	1005	691346	Fan-Flywheel
187	791766	Line-Fuel (Cut to Required Length)	1059	692311	Kit-Screw/Washer (Fuel Tank)
188	693399	Screw (Control Bracket)	1095	498528	Gasket Set-Valve
190	690940	Screw (Fuel Tank)	1210	498144	Pulley/Spring Assembly (Pulley)
202	691829	Link-Mechanical Governor	1211	498144	Pulley/Spring Assembly (Spring)
209	691290	Spring-Governor (Meadow Green)	1329	126L021014F1	Replacement Engine
222	790143	Bracket-Control	1386	790848	Vane-Air
227	690783	Lever-Governor Control	1387	790849	Spring-Air Vane
			1388	790850	Screw (Air Vane)

EMISSION CONTROL SYSTEM WARRANTY

California, U.S. EPA, and Sears Emissions Control Warranty Statement

Your Warranty Rights And Obligations

The California Air Resources Board, U.S. EPA, and Sears Brands Management Corporation, U.S.A. (Sears) are pleased to explain the emissions control system warranty on your Model Year 2011-2012 engine/equipment. In California, new small off-road engines and large spark ignited engines less than or equal to 1.0 liter must be designed, built, and equipped to meet the State's stringent anti-smog standards. Sears must warrant the emissions control system on your engine/equipment for the periods of time listed below provided there has been no abuse, neglect, or improper maintenance of your engine or equipment.

Your emissions control system may include parts such as the carburetor or fuel injection system, fuel tank, ignition system, and catalytic converter. Also included may be hoses, belts, connectors, sensors, and other emissions-related assemblies. Where a warrantable condition exists, Sears will repair your engine/equipment at no cost to you including diagnosis, parts, and labor.

Manufacturer's Warranty Coverage:

Small off-road engines and large spark ignited engines less than or equal to 1.0 liter are warranted for two years. If any emissions-related part on your engine/equipment is defective, the part will be repaired or replaced by Sears.

Owner's Warranty Responsibilities:

- As the engine/equipment owner, you are responsible for the performance of the required maintenance listed in your owner's manual. Sears recommends that you retain all receipts covering maintenance on your engine/equipment, but Sears cannot deny warranty solely for the lack of receipts or your failure to ensure the performance of all scheduled maintenance.
- As the engine/equipment owner, you should however be aware that Sears may deny you warranty coverage if your engine/equipment or a part has failed due to abuse, neglect, improper maintenance, or unapproved modifications.
- You are responsible for presenting your engine/equipment to a Sears distribution center, servicing dealer, or other equivalent entity, as applicable, as soon as a problem exists. The warranty repairs should be completed in a reasonable amount of time, not to exceed 30 days. If you have any questions regarding your warranty rights and responsibilities, you should contact Sears at (800) 469-4663.

Sears Emissions Control Warranty Provisions

The following are specific provisions relative to your Emissions Control Warranty Coverage. It is in addition to the Sears engine warranty for non-regulated engines found in the Operator's Manual.

1. Warranted Emissions Parts
Coverage under this warranty extends only to the parts listed below (the emissions control systems parts) to the extent these parts were present on the engine purchased.
 - a. Fuel Metering System
 - Cold start enrichment system (soft choke)
 - Carburetor and internal parts
 - Fuel pump
 - Fuel line, fuel line fittings, clamps
 - Fuel tank, cap and tether
 - Carbon canister
 - b. Air Induction System
 - Air cleaner
 - Intake manifold
 - Purge and vent line
 - c. Ignition System
 - Spark plug(s)
 - Magneto ignition system
 - d. Catalyst System
 - Catalytic converter
 - Exhaust manifold
 - Air injection system or pulse valve
 - e. Miscellaneous Items Used in Above Systems
 - Vacuum, temperature, position, time sensitive valves and switches
 - Connectors and assemblies
2. Length of Coverage
For a period of two years from date of original purchase, Sears warrants to the original purchaser and each subsequent purchaser that the engine is designed, built, and equipped so as to conform with all applicable regulations adopted by the Air Resources Board; that it is free from defects in material and workmanship that could cause the failure of a warranted part; and that it is identical in all material respects to the engine described in the manufacturer's application for certification. The warranty period begins on the date the engine is originally purchased.

In the USA and Canada, a 24-hour hotline, 1-800-469-4663, has a menu of pre-recorded messages offering you product maintenance information.

The warranty on emissions-related parts is as follows:

- Any warranted part that is not scheduled for replacement as required maintenance in the owner's manual supplied, is warranted for the warranty period stated above. If any such part fails during the period of warranty coverage, the part will be repaired or replaced by Sears at no charge to the owner. Any such part repaired or replaced under the warranty will be warranted for the remaining warranty period.
- Any warranted part that is scheduled only for regular inspection in the owner's manual supplied, is warranted for the warranty period stated above. Any such part repaired or replaced under warranty will be warranted for the remaining warranty period.
- Any warranted part that is scheduled for replacement as required maintenance in the owner's manual supplied, is warranted for the period of time prior to the first scheduled replacement point for that part. If the part fails prior to the first scheduled replacement, the part will be repaired or replaced by Sears at no charge to the owner. Any such part repaired or replaced under warranty will be warranted for the remainder of the period prior to the first scheduled replacement point for the part.
- Add on or modified parts that are not exempted by the Air Resources Board may not be used. The use of any non exempted add on or modified parts by the owner will be grounds for disallowing a warranty claim. The manufacturer will not be liable to warrant failures of warranted parts caused by the use of a non exempted add on or modified part.

3. Consequential Coverage

Coverage shall extend to the failure of any engine components caused by the failure of any warranted emissions parts.

4. Claims and Coverage Exclusions

Warranty claims shall be filed according to the provisions of the Sears engine warranty policy. Warranty coverage does not apply to failures of emissions parts that are not original equipment Sears parts or to parts that fail due to abuse, neglect, or improper maintenance as set forth in the Sears engine warranty policy. Sears is not liable for warranty coverage of failures of emissions parts caused by the use of add-on or modified parts.

Look For Relevant Emissions Durability Period and Air Index Information On Your Small Off-Road Engine Emissions Label

Engines that are certified to meet the California Air Resources Board (CARB) small off-road Emissions Standard must display information regarding the Emissions Durability Period and the Air Index. The engine manufacturer makes this information available to the consumer on emissions labels. The engine emissions label will indicate certification information.

The **Emissions Durability Period** describes the number of hours of actual running time for which the engine is certified to be emissions compliant, assuming proper maintenance in accordance with the Operating & Maintenance Instructions. The following categories are used:

Moderate: Engine is certified to be emissions compliant for 125 hours of actual engine running time.

Intermediate: Engine is certified to be emissions compliant for 250 hours of actual engine running time.

Extended: Engine is certified to be emissions compliant for 500 hours of actual engine running time.

For example, a typical walk-behind lawn mower is used 20 to 25 hours per year. Therefore, the **Emissions Durability Period** of an engine with an **intermediate** rating would equate to 10 to 12 years.

Small off-road engines are certified to meet the United States Environmental Protection Agency (USEPA) Phase 2 emissions standards. For Phase 2 certified engines, the Emissions Compliance Period referred to on the Emissions Compliance label indicates the number of operating hours for which the engine has been shown to meet Federal emissions requirements.

For engines less than 225 cc displacement.

Category C = 125 hours

Category B = 250 hours

Category A = 500 hours

For engines of 225 cc or more displacement.

Category C = 250 hours

Category B = 500 hours

Category A = 1000 hours

TABLA DE CONTENIDOS

GARANTIA	32	MANTENIMIENTO	46-51
CONTRATO DE PROTECCIÓN PARA REPARACIONES	32	ALMACENAMIENTO	52
REGLAS DE SEGURIDAD	33-35	REPARACION DE DAÑOS REPUESTOS	53
CARACTERÍSTICAS Y CONTROLES	36	GARANTIA DEL CONTROL DE EMISIONES	54-55
MONTAJE	37-40	COMO ORDENAR PARTES	PAGINA POSTERIOR
OPERACION	41-44		
ESPECIFICACIONES	45		

GARANTIA

GARANTÍA LIMITADA DE DOS AÑOS DE CRAFTSMAN

DURANTE DOS AÑOS a partir de la fecha de compra, este producto cuenta con una garantía contra cualquier defecto material o de mano de obra. Los productos defectuosos serán reparados sin costo alguno, o bien, serán sustituidos en caso de que no sea posible repararlos.

Para conocer los detalles de cobertura de la garantía sobre cómo obtener reparación o sustitución sin costo, visite el sitio web: www.craftsman.com

Esta garantía no cubre las pistolas rociadoras, mangueras, prolongadores de boquilla, boquillas, filtros y bujías, ya que son recambios que pueden desgastarse con el uso normal dentro del período de garantía.

Esta garantía se invalida si este producto se utiliza alguna vez para prestar servicios comerciales o si se renta a otra persona.

Esta garantía le otorga determinados derechos legales y es posible que tenga otros derechos que pueden variar de una provincia a otra.

Sears Brands Management Corporation, Hoffman Estates, IL 60179

CONTRATO DE PROTECCIÓN PARA REPARACIONES

Felicidades por realizar una compra inteligente.

Su nuevo producto Craftsman® está diseñado y fabricado para funcionar de manera fiable durante muchos años. Pero como todos los productos, es posible que requiera reparación ocasionalmente.

Es en esos momentos, tener un contrato de protección para reparaciones puede ahorrarle dinero y molestias.

A continuación se menciona lo que el contrato de protección para reparaciones* contempla:

- **Servicio experto** de nuestros 10.000 especialistas profesionales en reparación.
- **Servicio ilimitado y sin costo** en partes y mano de obra en todas las reparaciones incluidas en la cobertura.
- **Cambio del producto** por hasta \$1.500 si el producto incluido en la cobertura no se puede reparar.
- **Un 10% de descuento** en el precio normal de servicio y en partes instaladas relacionadas no incluidas en la cobertura del contrato; asimismo, un 10% de descuento en el precio normal de revisiones de mantenimiento preventivo.
- **Ayuda telefónica rápida.** Nuestro servicio de Solución rápida consiste en apoyo telefónico por un representante de Sears. Piense que somos un "manual del usuario parlante".

Una vez que adquiera el contrato de protección para reparaciones, sólo tiene que hacer una sencilla llamada telefónica para programar un servicio. Puede llamar a cualquier hora del día o la noche, o programar una cita de servicio en línea.

El contrato de protección para reparaciones es una compra segura. Si lo cancela por cualquier motivo durante el período de garantía del producto, le reembolsaremos el total de su dinero o una parte proporcional en cualquier momento posterior al vencimiento del período de garantía del producto. Adquiera hoy su contrato de protección para reparaciones.

Aplican algunas limitaciones y exclusiones. Para conocer precios y obtener información adicional en EE. UU., llame al 1-800-827-6655.

*** La cobertura en Canadá varía en determinados artículos. Para obtener todos los detalles, comuníquese a Sears Canadá al 1-800-361-6665.**

Servicio de instalación de Sears

Para solicitar un servicio de instalación por parte de un profesional de Sears para aparatos domésticos, puertas automáticas de garajes, calentadores de agua y otros artículos domésticos importantes en EE. UU. o Canadá, comuníquese al 1-800-4-MY-HOME®.

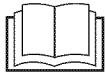
REGLAS DE SEGURIDAD



Lea este manual minuciosamente y conozca a fondo las partes y el funcionamiento de su máquina limpiadora a presión. Conozca sus aplicaciones, sus limitaciones y los peligros involucrados.

Información importante de seguridad

Símbolos sobre la seguridad y significados



Manual del Operario



Gases Tóxicos



Descarga Eléctrica



Superficies Resbalosas



Inyección Líquida



Partes en Movimiento



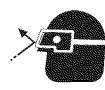
Caer



Superficie Caliente



Proyectil



Objetos Voladores



Fuego



Explosión



Quemadura Química



Contragolpe

▲ El símbolo de alerta de seguridad indica un posible riesgo para su integridad física. Se utiliza una palabra de señalización (PELIGRO, ADVERTENCIA o PRECAUCIÓN) junto con el símbolo de alerta para designar un grado o nivel de gravedad de riesgo. Se puede utilizar un símbolo de seguridad para representar el tipo de riesgo. La palabra de señalización *AVISO* se utiliza para hacer referencia a una práctica no relacionada con una lesión física.

▲ **PELIGRO** indica un riesgo que, de no evitarse, *provocará* la muerte o lesiones de gravedad.

▲ **ADVERTENCIA** indica un riesgo que, de no evitarse, *podría* provocar la muerte o lesiones de gravedad.

▲ **PRECAUCIÓN** indica un riesgo que, de no evitarse, *podría* provocar lesiones leves o moderadas.

AVISO hace referencia a una práctica no relacionada con una lesión física.

▲ **ADVERTENCIA** El escape del motor de este producto contiene elementos químicos reconocidos en el Estado de California por producir cáncer, defectos de nacimiento u otros daños de tipo reproductivo.

▲ **ADVERTENCIA** Este producto contiene plomo y compuestos de plomo declarados causantes de malformaciones y otros defectos congénitos por el Estado de California. *Lávese las manos después de manipular este producto.*

▲ **ADVERTENCIA** Riesgo de electrocución.
El contacto con los cables eléctricos podría provocar electrocución y quemaduras que pueden provocar lesiones graves o la muerte.

- NUNCA rocíe cerca de una fuente de energía eléctrica.

▲ **ADVERTENCIA** Al motor funcionar, se produce monóxido de carbono, un gas inodoro y venenoso. La inhalación de monóxido de carbono puede provocar lesiones graves, dolor de cabeza, fatiga, mareos, vómitos, confusión, convulsiones, náuseas, desmayos o incluso la muerte. La inhalación o ingestión de algunas sustancias químicas o detergentes puede ser peligroso y provocar lesiones graves, náuseas, desmayos, envenenamiento o la muerte.

- Utilice este producto SÓLO a la intemperie.
- Asegúrese de que los gases de escape no puedan entrar por ventanas, puertas, tomas de aire de ventilación u otras aberturas en un espacio cerrado en el que puedan acumularse.
- NO utilice este producto en el interior de un edificio, cochera, porche, equipo móvil, taller de aplicaciones navales o recinto, aunque haya ventanas y puertas abiertas.
- Utilice un respirador o una máscara cada vez que exista la posibilidad de inhalar vapores al utilizar sustancias químicas.
- Lea todas las instrucciones de la máscara para comprobar si proporciona la protección necesaria contra la inhalación de vapores nocivos cuando se utilicen sustancias químicas.

▲ ADVERTENCIA El retroceso (repliegue rápido) del cable del arrancador impedirá que el usuario suelte el cable a tiempo y tirará de su mano y brazo hacia el motor, lo que podría provocar fracturas, contusiones o esguinces; así como lesiones graves.

- NUNCA tire del cable del arrancador sin eliminar previamente la presión de la pistola rociadora.
- Cuando arranque el motor, tire lentamente del cable hasta sentir una resistencia y, a continuación, tire rápidamente de él para evitar su retroceso.
- Después de cada intento de arranque, cuando el motor no consiga arrancar, apunte con la pistola rociadora hacia una dirección segura, pulse el botón rojo y apriete el gatillo para descargar la presión.
- Sujete firmemente la pistola rociadora con ambas manos cuando aplique un rociado a alta presión para evitar lesiones cuando se produzca el retroceso de la pistola.

▲ ADVERTENCIA Los gases y el calor de escape podrían inflamar los materiales combustibles y las estructuras o dañar el depósito de combustible y provocar incendios, así como daños materiales, lesiones graves o incluso la muerte.

El contacto con la zona del silenciador podría producir quemaduras y lesiones graves.

- NO toque las superficies calientes y evite los gases del escape a alta temperatura.
- Permita que el equipo se enfríe antes de tocarlo.
- Deje un espacio mínimo de 1.5 m (5 pies) alrededor del limpiadora a presión, incluida la parte superior.
- Utilizar el motor en un terreno boscoso, con maleza o cubierto de hierba constituye una infracción al Código de recursos públicos de California, a menos que el sistema de escape esté equipado con una pantalla apagachispas, de acuerdo a la definición de la Sección 4442, que se mantenga en buenas condiciones de funcionamiento. En otros estados o jurisdicciones federales puede haber leyes similares en vigor. Póngase en contacto con el fabricante, el vendedor o el distribuidor del equipo original para obtener una pantalla apagachispas diseñada para el sistema de escape instalado en este motor.
- Las piezas de recambio deben ser las mismas que las piezas originales y estar instaladas en la misma posición.

▲ ADVERTENCIA El arrancador y otras piezas rotativas podrían enredarse en las manos, el pelo, la ropa u otros accesorios, y provocar lesiones graves.

- NUNCA utilice la limpiadora a presión sin sus carcasas o tapas de protección.
- NO utilice ropa suelta, joyas ni objetos que podrían quedar atrapados en el arrancador o en otras piezas rotativas.
- Ate para arriba el pelo largo y quite la joyería.

▲ ADVERTENCIA El combustible y sus vapores son extremadamente inflamables y explosivos, lo que podría provocar quemaduras, incendios o explosiones; así como daños materiales, lesiones graves o incluso la muerte.

CUANDO ANADA COMBUSTIBLE O VACÍE EL DEPÓSITO

- DETENGA el motor del limpiadora a presión y déjelo enfriar durante al menos 2 minutos antes de quitar el tapón de combustible. Afloje la tapa lentamente para dejar que la presión salga del tanque.
- Llene o vacíe el depósito de combustible a la intemperie.
- NO llene demasiado el tanque. Permita al menos espacio para la expansión del combustible.
- Si se ha derramado combustible, espere a que se evapore antes de arrancar el motor.
- Mantenga la gasolina alejada de chispas, llamas abiertas, pilotos, calor y otras fuentes de ignición.
- Compruebe frecuentemente que las líneas de combustible, el tanque, el tapón y los accesorios no estén rotos o tengan fugas. Cámbielos si es necesario.
- NO encienda un cigarrillo o fume.

CUANDO PONGA EN FUNCIONAMIENTO EL EQUIPO

- Compruebe que la bujía, el silenciador, el tapón del depósito de combustible y el filtro de aire están instalados.
- NO arranque el motor sin la bujía instalada.

CUANDO OPERE EL EQUIPO

- NO utilice este producto en el interior de un edificio, cochera, porche, equipo móvil, taller de aplicaciones navales o recinto.
- NO incline el motor o el equipo, de tal manera que la gasolina se pueda derramar.
- NO rocíe líquidos inflamables.

AL TRANSPORTAR, MOVER O REPARAR EQUIPO

- Transporte, mover o repare el equipo con el tanque de combustible vacío, o con la válvula para apagar el combustible, apagada (posición OFF).
- NO incline el motor o el equipo, de tal manera que la gasolina se pueda derramar.
- Desconecte el cable de la bujía.

CUANDO ALMACENE O GUARDE EL EQUIPO CON COMBUSTIBLE EN EL TANQUE

- Manténgalo alejado de calderas, estufas, calentadores de agua, secadoras de ropa u otros aparatos que utilicen llama piloto u otras fuentes de ignición que podrían inflamar los vapores de combustible.

▲ ADVERTENCIA El uso de una limpiadora a presión podría producir charcos y superficies resbaladizas que provoquen que se caiga y sufra lesiones graves o que se muera.

El retroceso de la pistola rociadora podría provocar caídas con lesiones graves o la muerte.

- Utilice la limpiadora a presión desde una superficie estable.
- El área de limpieza deberá tener inclinaciones y drenajes adecuados para disminuir la posibilidad de caídas debido a superficies resbalosas.
- Extreme las precauciones si necesita utilizar la limpiadora a presión desde una escalera, un andamio u otro lugar similar.
- Sujete firmemente la pistola rociadora con ambas manos cuando aplique un rociado a alta presión para evitar lesiones cuando se produzca el retroceso de la pistola.

▲ ADVERTENCIA Peligro de quemadura química.



Las sustancias químicas podrían provocar quemaduras, así como daños materiales, lesiones graves o incluso la muerte.

- NO use líquido cáustico con la limpiadora a presión.
- Use EXCLUSIVAMENTE detergentes o jabones especiales para la limpiadora a presión. Siga todas las instrucciones del fabricante.

▲ ADVERTENCIA El chorro de agua a alta presión que este equipo produce podría atravesar la piel y los tejidos subcutáneos, que podrían provocar lesiones graves y la posible amputación de un miembro.



La pistola rociadora retiene agua a alta presión incluso con el motor parado y el agua desconectada; esto podría provocar lesiones graves.

- En caso de que algún líquido le cause una cortadura, llame al médico de inmediato. NO la trate como una cortadura común.
- NO permita en ningún momento que NIÑOS operen la máquina limpiadora a presión.
- NUNCA repare la manguera de alta presión. Remplacela.
- NUNCA utilice ningún tipo de sellador para reparar una fuga en una conexión. Sustituya la junta tórica o la junta.
- NUNCA conecte la manguera de alta presión al prolongador de la boquilla.
- Mantenga conectada la manguera a la máquina o a la pistola de rociado cuando el sistema esté presurizado.
- SIEMPRE que pare el motor, apunte con la pistola rociadora hacia una dirección segura, pulse el botón rojo y apriete el gatillo para descargar la presión.
- NUNCA apunte la pistola a la gente, animales o plantas.
- NO fije la pistola rociadora en la posición abierta.
- NO abandone la pistola rociadora cuando la máquina esté en funcionamiento.
- NUNCA utilice una pistola rociadora cuyo seguro o protección para el gatillo no esté en perfecto estado de funcionamiento.
- Asegúrese en todo momento de conectar correctamente la pistola rociadora, las boquillas y los accesorios.

▲ ADVERTENCIA Las chispas involuntarias podrían provocar incendios o electrocución que pueden provocar lesiones graves o la muerte.



CUANDO AJUSTE O HAGA REPARACIONES A SU MÁQUINA LIMPIADORA A PRESIÓN

- Siempre desconecte el alambre de la bujía y colóquelo donde no pueda entrar en contacto con la bujía.

CUANDO PRUEBE LA BUJÍA DEL MOTOR

- Utilice un comprobador de bujías homologado.
- NO compruebe la chispa sin la bujía instalada.

▲ ADVERTENCIA Riesgo de lesiones en los ojos o el cuerpo.



El agua rociada podría salpicar o propulsar objetos, lo que puede

provocar lesiones graves.

- Cuando utilice este equipo o esté cerca de él, siempre use gafas de seguridad con ventilación indirecta (contra salpicaduras de productos químicos) marcadas para cumplir con ANSI Z87.1.
- NUNCA se ponga gafas de seguridad ni gafas para entornos secos como sustituto de las gafas de seguridad con ventilación indirecta.
- Siempre utilice ropa de protección como una camisa de manga larga, pantalones largos y zapatos cerrados.
- NUNCA ponga en funcionamiento la limpiadora a presión cuando esté descalzo, lleve sandalias o pantalones cortos.

▲ PRECAUCIÓN Las velocidades de funcionamiento excesivamente altas podrían provocar lesiones leves y/o daños al limpiadora a presión.

Las velocidades excesivamente bajas incrementan la carga de trabajo.

- NO intente alterar el resorte, las conexiones y otras partes del regulador para incrementar la velocidad del motor. La limpiadora a presión ejerce la presión y el flujo nominales correctos cuando funciona a una velocidad controlada.
- NO modifique al limpiadora a presión en ninguna forma.

AVISO El rociado de alta presión podría dañar objetos frágiles, incluido el vidrio.

- NO dirija la pistola rociadora hacia un cristal cuando utilice la punta de rocío de roja de 0°.
- NUNCA apunte la pistola a plantas.

AVISO Un tratamiento inadecuado de la limpiadora a presión podría dañarla y acortar su vida útil.

- Si usted tiene alguna pregunta acerca de las finalidades de uso del limpiadora a presión, pregúntele a su concesionario o contacte el distribuidor de servicio autorizado.
- NUNCA deberán ser operadas las unidades con partes rotas o ausentes, o sin la caja o cubiertas de protección.
- NO eluda ningún dispositivo de seguridad de esta máquina.
- NO intente alterar la velocidad controlada.
- NO utilice la limpiadora a presión por encima de su presión nominal.
- NO haga ninguna modificación en la limpiadora a presión.
- Antes de poner en marcha la máquina limpiadora a presión en clima frío, revise todas las partes del equipo y asegúrese de que no se haya formado hielo sobre ellas.
- NUNCA mueva la máquina halando la manguera de alta presión. Utilice la manija que viene con la unidad.
- El equipo de alta presión está diseñado para ser utilizado UNICAMENTE con las partes autorizadas Briggs & Stratton Power Products. Si utiliza este equipo con partes que no cumplan con las especificaciones mínimas, el usuario asume todos los riesgos y responsabilidades.

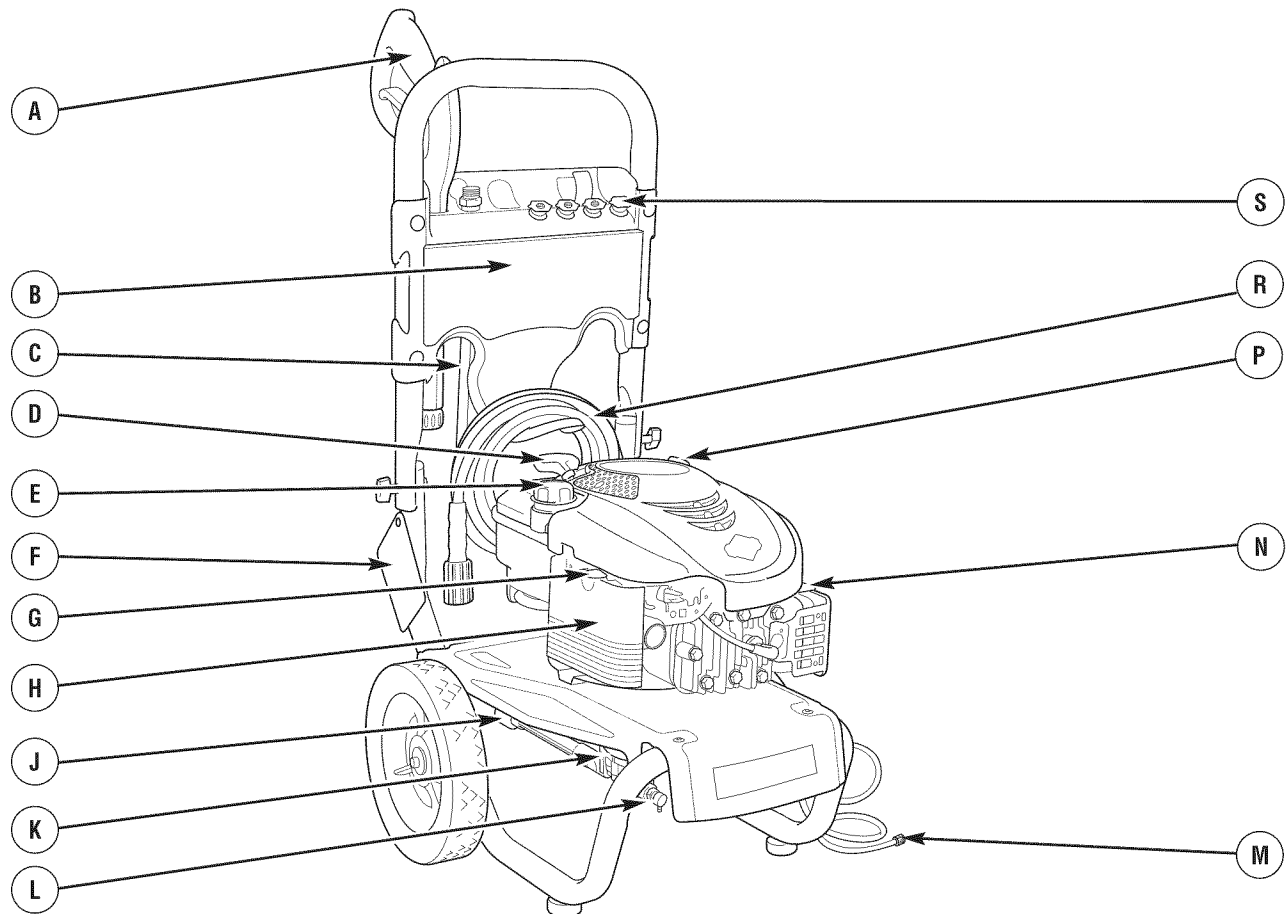
CARACTERÍSTICAS Y CONTROLES

CONOZCA SU MAQUINA LIMPIADORA A PRESIÓN



Lea el manual del operario y las reglas de seguridad antes de poner en marcha su limpiadora a presión.

Compare las ilustraciones con su limpiadora a presión para familiarizarse con las ubicaciones de los diferentes controles y ajustes. Guarde este manual para referencias futuras.



A - Pistola de Rociado — Controla la aplicación de agua sobre la superficie de limpieza con el gatillo. Incluye cerrojo de seguridad.

B - Bandeja de Accesorios — Permite almacenar cómodamente los accesorios de serie.

C - Extensión para Boquillas con Conexión Rápida — Le permite usar cuatro puntas de rociado diferentes.

D - Arrancador de Retroceso — Usado para arrancar el motor manualmente.

E - Tanque del Combustible — Llene el tanque con gasolina regular sin contenido de plomo en este punto. Siempre habitación de hoja para la expansión del combustible.

F - Etiqueta de Advertencia e Instrucciones — Identifica los riesgos e indica el procedimiento adecuado de puesta en marcha o de parada de la limpiadora a presión.

G - Palanca de Control de la Válvula de Regulación — Coloca el motor en modo de arranque para el arrancador de retroceso y detiene el motor en funcionamiento.

H - Filtro de Aire — El elemento de filtro tipo seco limita la cantidad de suciedad y polvo que se introduce en el motor.

J - Entrada de Agua — Conexión para la manguera de jardín.

K - Bomba — Desarrolla alta presión de agua.

L - Automático se Enfría Sistema — Los ciclos regan por bomba cuando agua alcanza 125°-155°F. Entibiar agua descargará de la bomba en el suelo. Este sistema previene el daño interno de bomba.

M - Tubo/filtro de inyección de detergente — Permite inyectar detergentes para limpiadora a presión en el circuito de baja presión.

N - Identificación de Motor — Proporciona el modelo, tipo y el código de motor. Tenga por favor estos prontamente disponible cuándo llamar para la ayuda.

P - Tapa del Depósito del Aceite — Llene el motor con aceite aquí.

R - Manguera de Alta Presión — Conecte un extremo a la pistola de rociado y el otro extremo a la toma de alta presión.

S - Puntas de Rociado — Detergente, 0°, 15° y 40°: para diferentes alta presión aplicaciones de limpieza.

No mostrado:

Etiqueta de Identificación (el trasero cercano de plato despreciable) — Proporciona el modelo y el número de serie de limpiadora a presión. Tenga por favor estos prontamente disponible cuándo llamar para la ayuda.

Toma de Alta Presión — Conexión para la manguera de alta presión.

MONTAJE

Su limpiadora a presión requiere de cierto ensamble y estará lista para ser usado únicamente después de haber depositado el combustible y el aceite recomendado.

Si tiene problemas con el ensamble de su máquina limpiadora a presión, llame a la línea de ayuda de la máquina limpiadora a presión al 1-800-222-3136.

Desembale la Limpiadora a Presión

1. Saque todo el contenido de la caja de cartón, a excepción de la limpiadora a presión.
2. Abra completamente la caja de cartón cortando cada una de sus esquinas de arriba abajo.
3. Saque la limpiadora a presión de la caja de cartón.

Contenido de la Caja

Revise el contenido de la caja. Si alguna de las partes no está presente o está dañada, llame a la línea de ayuda de la máquina limpiadora a presión al **1-800-222-3136**.

- La unidad principal
- Manubrio
- Bandeja de accesorios
- La manguera de alta presión
- Pistola de rociado
- Extensión de la boquilla con conector rápido
- Aceite para motor
- Bolsa de partes (incluye los elementos descritos a continuación)
 - Manual del operador
 - Tarjeta de la matrícula
 - Bolsa con 4 puntas de rociado de conexiones rápidas multicolores
 - Piezas para la manubrio (incluye lo siguiente):
 - Pernos del Soporte (2)
 - Perilla Plástica (2)
 - Pinzas de árbol (4)

Familiarícese con cada parte antes de ensamblar la máquina limpiadora a presión. Compare el contenido con la ilustración de la página 36. Si alguna de las partes no está presente o se encuentra dañada, llame a la línea de ayuda de la máquina limpiadora a presión al **1-800-222-3136**.

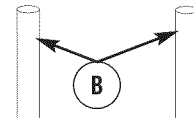
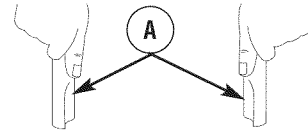
MONTAJE DEL LIMPIADORA A PRESIÓN

Usted deberá llevar a cabo los siguientes procedimientos antes de poner en funcionamiento su limpiadora a presión:

1. Llene y mande en tarjeta de matrícula.
2. Conecte manubrio y bandeja de accesorios.
3. Añada aceite al motor.
4. Añada gasolina al tanque de combustible.
5. Conecte manguera a alta presión a pistola rociadora y a bomba.
6. Conecte el suministro de agua a bomba.
7. Conecte boquilla la extensión al pistola rociadora.
8. Selecto/conecta rápido conecta punta de rociado a la extensión de la boquilla.

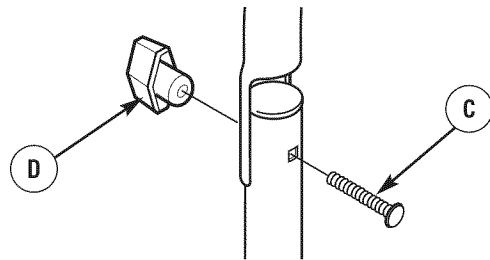
Conecte el Manubrio y Bandeja de Accesorios

1. Coloque el manubrio (A) sobre los soportes del mismo (B) que ya están adheridos a la unidad principal. Asegúrese de que los orificios en el manubrio estén alineados con los orificios en los soportes del mismo manubrio.

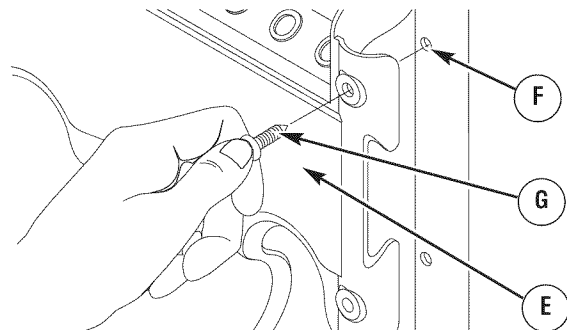


AVISO Tal vez será necesario mover los soportes del manubrio de un lado a otro para alinear el manubrio de tal manera que pueda deslizarse sobre los soportes del mismo manubrio.

2. Inserte el perno del soporte (C) a través de los orificios desde fuera de la unidad y sujete una perilla de plástico (D) desde el interior de la misma unidad. Apriete manualmente.



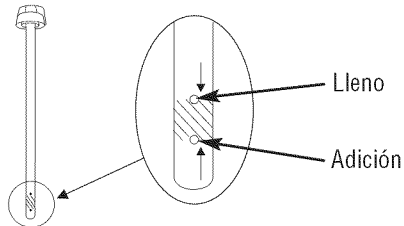
3. Coloque la bandeja de accesorios (E) sobre los orificios (F) del manubrio (vista desde la parte delantera de la unidad). Presione las pinzas de árbol (G) para introducirlas en los orificios hasta que queden a nivel con la bandeja de accesorios.



4. Inserte las boquillas de colores y el resto de los accesorios en los espacios correspondientes de la bandeja de accesorios. Consulte *Cómo Usar la Bandeja de Accesorios*.

Agregue Aceite de Motor

1. Coloque la limpiadora a presión en una superficie plana y nivelada.
2. Limpie la zona de alrededor del orificio de llenado de aceite y quite el tapón amarillo.
3. Con un embudo para aceite (opcional), vierta lentamente el contenido del aceite suministrado por el orificio de llenado, verificando con frecuencia el nivel de aceite. **NO AÑADA ACEITE EN EXCESO.**



AVISO El tratamiento inadecuado del limpiadora a presión puede dañarlo y acortar su vida productiva.

- NO procure acodar ni empezar el motor antes ha sido atendido apropiadamente con el aceite recomendado. Esto podría provocar una avería en el motor.
4. Vuelva a colocar el tapón y apriételo firmemente.

Agregue Gasolina

El combustible debe reunir los siguientes requisitos:

- Gasolina sin plomo limpia y nueva.
- Un mínimo de 87 octanos/87 AKI (91 RON). Para uso a gran altitud, consulte *Gran altitud*.
- El motor admite gasolina con hasta un 10% de etanol (gasohol) o hasta un 15% de MTBE (éter metil terbutílico).

AVISO Evite el daño del limpiadora a presión.

El fracaso para seguir Manual de Operario para el combustible reccomendations garantía de vacíos.

- NO utilice gasolina no autorizada; por ejemplo, E85.
- NO mezcle aceite con gasolina.
- NO modifique el motor para hacerlo funcionar con otros combustibles.

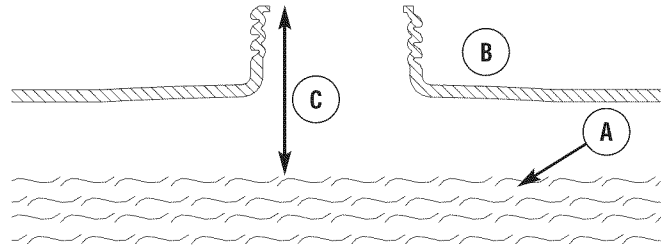
Para evitar la formación de carbonilla en el circuito de combustible, siempre que añada combustible, mézclelo con un estabilizador. Consulte *Almacenamiento*. NO todos los combustibles son iguales. Si detecta problemas de arranque o de rendimiento después de utilizar un combustible, pruebe a cambiar de proveedor o de marca. Este motor está certificado para funcionar con gasolina. Su sistema de control de emisiones es EM (Modificaciones del motor).

▲ ADVERTENCIA El combustible y sus vapores son extremadamente inflamables y explosivos, lo que podría provocar quemaduras, incendios o explosiones; así como daños materiales, lesiones graves o incluso la muerte.

CUANDO AÑADA COMBUSTIBLE EL DEPÓSITO

- DETENGA el motor del limpiadora a presión y déjelo enfriar durante al menos 2 minutos antes de quitar el tapón de combustible. Afloje la tapa lentamente para dejar que la presión salga del tanque.
- Llene el depósito de combustible a la intemperie.
- NO llene demasiado el tanque. Permita al menos espacio para la expansión del combustible.
- Si se ha derramado combustible, espere a que se evapore antes de arrancar el motor.
- Mantenga la gasolina alejada de chispas, llamas abiertas, pilotos, calor y otras fuentes de ignición.
- Compruebe frecuentemente que las líneas de combustible, el tanque, el tapón y los accesorios no estén rotos o tengan fugas. Cámbielos si es necesario.
- NO encienda un cigarrillo o fume.

1. Limpie el área alrededor de la tapa de llenado del combustible, retire la tapa.
2. Añada lentamente gasolina sin plomo (A) al depósito de combustible (B). NO añada combustible en exceso. Deje aproximadamente 4 cm (1,5") de espacio (C) en el depósito para permitir la expansión del combustible, como se muestra.



3. Instale la tapa del tanque de combustible y la espera para algún combustible rociado para evaporar.

¡PRECAUCIÓN! Los combustibles con mezcla de alcohol (gasohol, etanol o metanol) pueden atraer la humedad y provocar la separación y formación de ácidos durante el almacenamiento. Los gases ácidos pueden dañar el circuito de combustible y el motor durante el almacenamiento.

Para evitar este tipo de problemas, vacíe el circuito de combustible cuando vaya a almacenar la unidad durante 30 días o más. Vacíe el depósito de combustible, arranque el motor y déjelo funcionar hasta que los conductos de combustible y el carburador queden vacíos. Utilice combustible nuevo la próxima temporada. Para obtener más información al respecto, consulte *Almacenamiento*.

NUNCA utilice productos limpiadores para motores o carburadores en el depósito de combustible, ya que podrían provocar daños permanentes.

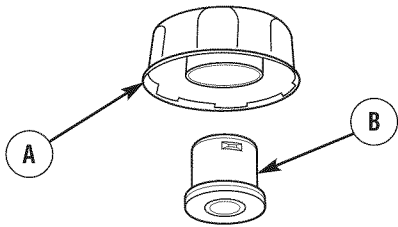
Gran altitud

En altitudes superiores a 1.524 metros (5.000 pies), se deberá utilizar gasolina con un mínimo de 85 octanos / 85 AKI (89 RON). Para seguir cumpliendo la normativa sobre emisiones, es necesario ajustar la unidad para su uso a gran altitud. De no realizarse este

ajuste, el rendimiento se reducirá y el consumo de combustible y las emisiones aumentarán. Para obtener más información sobre el ajuste para gran altitud, consulte con un distribuidor cualificado de Sears. No se recomienda utilizar el motor a altitudes inferiores a 762 metros (2.500 pies) con el juego de gran altitud.

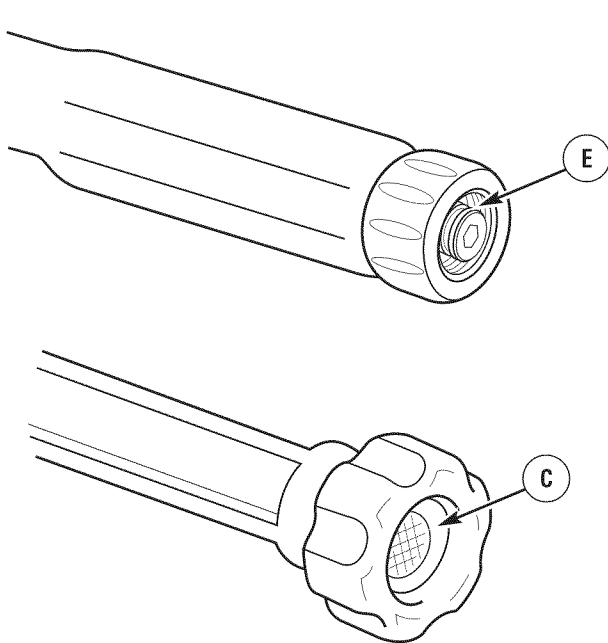
Tapón de combustible Fresh Start®

El tapón de combustible Fresh Start® (A) está diseñado para albergar un cartucho (B) con aditivo para combustible. La adición de un aditivo para combustible ayuda a mantener el combustible en buen estado y los carburadores limpios para facilitar el arranque durante toda la temporada. El tapón de combustible Fresh Start®, si está equipado con un cartucho, suministra automáticamente el aditivo de combustible concentrado en el tanque de combustible, de forma que usted no tenga que agregarlo.



AVISO El cartucho de aditivo para combustible Fresh Start® está disponible como un accesorio opcional, número de catálogo 7174403. No está incluido en la limpiadora a presión. Póngase en contacto con el fabricante del equipo original, el vendedor o el distribuidor para obtener un cartucho diseñado para el tapón de combustible Fresh Start® instalado en este motor.

Lea y siga todas las instrucciones y advertencias del paquete del cartucho de aditivo para combustible Fresh Start®.



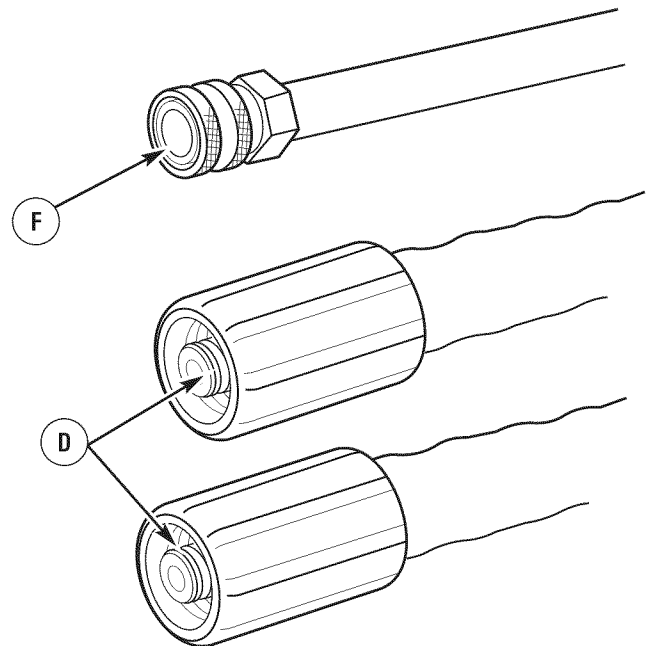
Lubrique las juntas tóricas

La lubricación de las juntas tóricas es extremadamente importante para la instalación y operación. El uso de un lubricante (petróleo o grasa sintética) durante el montaje es de utilidad para que las juntas tóricas se asienten adecuadamente y el sellado quede mejor. También ayuda a proteger la junta tórica contra daños por abrasión, pinchazos o cortes, y extiende su duración.

AVISO SIEMPRE aplique una pequeña cantidad de lubricante en las juntas tóricas antes de montar la manguera de jardín a la bomba (C), manguera a alta presión (D), la pistola rociadora (E), y el prolongador de la boquilla (F).

Lubrique todas las conexiones se muestra a continuación, siguiendo estas instrucciones:

1. Revise y limpie las superficies de conexión antes de la lubricación y el montaje.
2. Utilice los lubricantes con moderación durante el montaje; sólo se requiere una capa ligera.
3. Cuando no tenga acceso a las juntas tóricas, utilice un cepillo pequeño o torunda de algodón para aplicarles la grasa directamente (adaptador QC, adaptador M22).



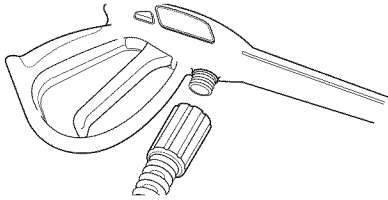
Conecte la Manguera y el Suministro de Agua a la Bomba

AVISO NO haga funcionar la bomba si no tiene el suministro conectado y abierto.

- El daño a la limpiadora a presión, resultado de la desatención a esta precaución, no será cubierto por la garantía.

AVISO Antes de conectar las mangueras, retire y deseche los tapones de transporte de la salida de alta presión y de la entrada de agua de la bomba.

1. Retroceda la manguera a alta presión y conecte a la base de la pistola rociadora. Apriete con la mano.

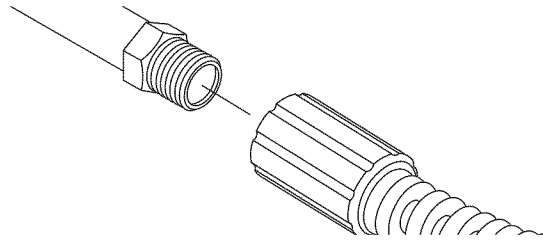


▲ ADVERTENCIA El chorro de agua a alta presión que este equipo produce podría atravesar la piel y los tejidos subcutáneos, que podrían provocar lesiones graves y la posible amputación de un miembro.

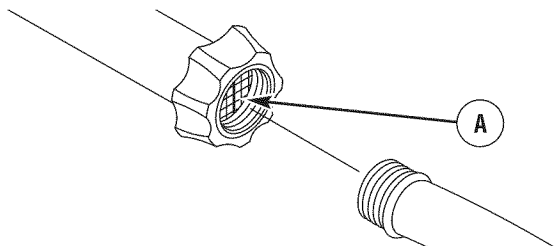


- NUNCA conecte la manguera de alta presión al prolongador de la boquilla.
- Mantenga conectada la manguera a la máquina o a la pistola de rociado cuando el sistema esté presurizado.
- Asegúrese en todo momento de conectar correctamente la pistola rociadora, las boquillas y los accesorios.

2. Conecte el otro extremo de la manguera a alta presión, a la salida de alta presión de la bomba. Apriete con la mano.



3. Antes de que conecte la manguera de jardín a la entrada de agua, inspeccione el colador de la entrada (A). Limpie el colador si tiene residuos o solicite su remplazo si está dañado. **NO haga funcionar la limpiadora a presión si el filtro de entrada falta o está dañado.**



4. Haga correr el agua a través de la manguera de su jardín por 30 segundos para limpiar cualquier escombros que se encuentre en ella. Desconecte el agua.

AVISO Hace NO agua de parar de siphon para el abastecimiento de agua. Use agua SOLO fría (menos que 100°F).

AVISO El uso de una válvula unidireccional (igualador de presión o válvula de retención) en la entrada de la bomba podría producir daños en la bomba o en el conector de entrada.

- DEBE haber un mínimo de 3 metros (10 pies) de manguera de riego libre entre la entrada de la limpiadora a presión y cualquier dispositivo, como un igualador de presión o una válvula de retención).
 - El daño a la limpiadora a presión, resultado de la desatención a esta precaución, no será cubierto por la garantía.
5. Conecte la manguera de jardín (no exceder 50 pies en la longitud) a la entrada del agua. Apriete con la mano.

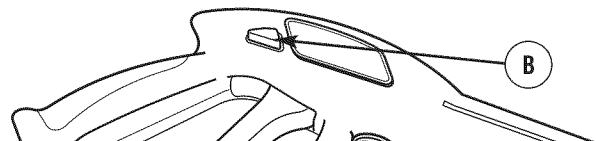
▲ ADVERTENCIA Riesgo de lesiones oculares.



El agua rociada podría salpicar o propulsar objetos, lo que puede provocar lesiones graves.

- Cuando utilice este equipo o esté cerca de él, siempre use gafas de seguridad con ventilación indirecta (contra salpicaduras de productos químicos) marcadas para cumplir con ANSI Z87.1.
- NUNCA se ponga gafas de seguridad ni gafas para entornos secos como sustituto de las gafas de seguridad con ventilación indirecta.

6. ABRA el agua, apunte con la pistola hacia una dirección segura presione el seguro (botón rojo) (B) y apriete el gatillo para eliminar el aire y las impurezas del sistema de bombeo.



Lista de Revisión Previa al Arranque del Motor

Revise la unidad para asegurarse que ha llevado a cabo los siguientes procedimientos:

1. Asegúrese de leer las secciones *Reglas de Seguridad* y *Operación* antes de usar el limpiadora a presión.
2. Revise que los sujetadores del carrete de la manguera estén apretados.
3. Revise que haya sido depositado aceite y esté al nivel correcto en la caja del cigüeñal del motor.
4. Deposite la gasolina adecuada en el tanque del combustible.
5. Revise que todas las conexiones de las mangueras (alta presión y suministro de agua) estén apretadas correctamente y que no existan dobleces, cortes o daño de la manguera de alta presión.
6. Proporcione el suministro de agua adecuado (que no exceda los 100°F).

OPERACION

COMO USAR SU LIMPIADORA A PRESIÓN

Si tiene problemas con el funcionamiento de su máquina limpiadora a presión, por favor llame a la línea de ayuda de la máquina limpiadora a presión al 1-800-222-3136.

Ubicación del limpiadora a presión

Espacio libre alrededor del limpiadora a presión

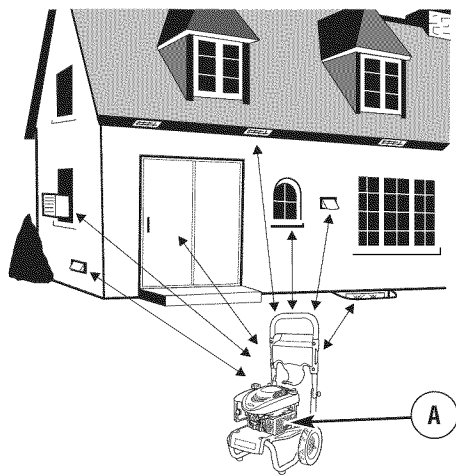
▲ ADVERTENCIA Los gases y el calor de escape podrían inflamar los materiales combustibles y las estructuras o dañar el depósito de combustible y provocar incendios, así como daños materiales, lesiones graves o incluso la muerte.

- Deje un espacio mínimo de 1.5 m (5 pies) alrededor del limpiadora a presión, incluida la parte superior.

Coloque la limpiadora a presión a la intemperie en una zona en donde no se acumulen gases de escape mortales. No instale el limpiadora a presión en lugares en los que los gases de escape (A) se puedan acumular o entrar en un edificio que pueda estar ocupado. Asegúrese de que los gases de escape no puedan entrar por ventanas, puertas, tomas de aire de ventilación u otras aberturas en un espacio cerrado en el que puedan acumularse. Tenga en cuenta los vientos y las corriente de aire preponderantes cuando elija la ubicación del limpiadora a presión.

▲ ADVERTENCIA Al motor funcionar, se produce monóxido de carbono, un gas inodoro y venenoso. La inhalación de monóxido de carbono puede provocar lesiones graves, dolor de cabeza, fatiga, mareos, vómitos, confusión, convulsiones, náuseas, desmayos o incluso la muerte.

- Utilice este producto SÓLO a la intemperie.
- Asegúrese de que los gases de escape no puedan entrar por ventanas, puertas, tomas de aire de ventilación u otras aberturas en un espacio cerrado en el que puedan acumularse.
- NO utilice este producto en el interior de un edificio, cochera, porche, equipo móvil, taller de aplicaciones navales o recinto, aunque haya ventanas y puertas abiertas.



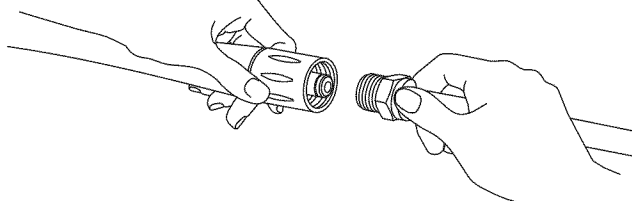
Para Poner en Marcha el Limpiadora a Presión

Para darle arranque a su limpiadora a presión movido a motor por primera vez, siga estas instrucciones paso a paso. Esta información acerca de la puesta en marcha inicial también es válida para cuando vaya a darle arranque al motor después de haberlo dejado la máquina limpiadora a presión fuera de funcionamiento por lo menos un día.

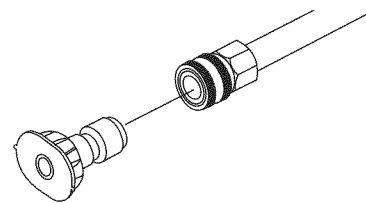
1. Coloque la máquina limpiadora a presión en un área cercana a una suministro de agua exterior capaz de abastecer agua a un volumen mayor de 3.3 galones por minuto en no menos que 20 PSI en el fin de arandela de presión de la manga del jardín.
2. Revise que la manguera de alta presión se encuentre conectada firmemente a la pistola de rociado y a la bomba. Vea *Montaje*.
3. Asegúrese que la unidad esté nivelada.
4. Conecte la manguera de jardín a la entrada del agua. Apriete la con la mano.

AVISO NO haga funcionar la bomba si no tiene el suministro conectado y abierto.

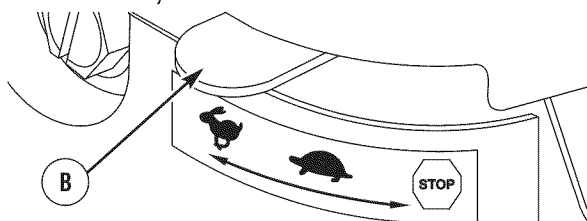
- El daño a la limpiadora a presión, resultado de la desatención a esta precaución, no será cubierto por la garantía.
5. Abra el agua, apunte con la pistola hacia una dirección segura presione el seguro (botón rojo) y apriete el gatillo para eliminar el aire y las impurezas del sistema de bombeo.
 6. Conecte la extensión de la boquilla a la pistola rociadora. Apriétela con las manos.



7. Seleccione la puntas de rocío de conexión rápida que usted desee e insértela en el extremo de la extensión de la boquilla. Vea *Como Usar las Puntas de Rocío*.



8. Asegúrese de que el control de la válvula de admisión se encuentre (B) en la posición "Rápido" ("Fast"), que se distingue de un conejo.



AVISO Antes de arrancar la limpiadora a presión, asegúrese de ponerse gafas de seguridad como se describe a continuación.

▲ ADVERTENCIA Riesgo de lesiones oculares. El agua rociada podría salpicar o propulsar objetos, lo que puede provocar lesiones graves.

- Cuando utilice este equipo o esté cerca de él, siempre use gafas de seguridad con ventilación indirecta (contra salpicaduras de productos químicos) marcadas para cumplir con ANSI Z87.1.
- NUNCA se ponga gafas de seguridad ni gafas para entornos secos como sustituto de las gafas de seguridad con ventilación indirecta.

AVISO Esta unidad está equipada con un motor ReadyStart®. Los motores ReadyStart® no requieren cebado ni estrangulamiento.

10. Cuando arranque el motor, colóquese en la posición que se recomienda a continuación. Sujete la manija y hale ligeramente la manija del arranque hasta que sienta cierta resistencia. Después hálela rápidamente.



▲ ADVERTENCIA El retroceso (repliegue rápido) del cable del arrancador impedirá que el usuario suelte el cable a tiempo y tirará de su mano y brazo hacia el motor, lo que podría provocar fracturas, contusiones o esguinces; así como lesiones graves.

- NUNCA tire del cable del arrancador sin eliminar previamente la presión de la pistola rociadora.
- Cuando arranque el motor, tire lentamente del cable hasta sentir una resistencia y, a continuación, tire rápidamente de él para evitar su retroceso.
- Después de cada intento de arranque, cuando el motor no consiga arrancar, apunte con la pistola rociadora hacia una dirección segura, pulse el botón rojo y apriete el gatillo para descargar la presión.
- Sujete firmemente la pistola rociadora con ambas manos cuando aplique un rociado a alta presión para evitar lesiones cuando se produzca el retroceso de la pistola.

11. Jale la cuerda de arranque lentamente. NO permita que la cuerda regrese bruscamente en contra del arrancador.

AVISO Siempre mantenga la control de válvula de regulación en el "Rápido" ("Fast") posición cuando operar la limpiadora a presión.

▲ ADVERTENCIA El chorro de agua a alta presión que este equipo produce podría atravesar la piel y los tejidos subcutáneos, que podrían provocar lesiones graves y la posible amputación de un miembro.

La pistola rociadora retiene agua a alta presión incluso con el motor parado y el agua desconectada; esto podría provocar lesiones graves.

- NO permita en ningún momento que NIÑOS operen la máquina limpiadora a presión.
- Mantenga conectada la manguera a la máquina o a la pistola de rociado cuando el sistema esté presurizado.
- NUNCA apunte la pistola a la gente, animales o plantas.
- NO fije la pistola rociadora en la posición abierta.
- NO abandone la pistola rociadora cuando la máquina esté en funcionamiento.
- NUNCA utilice una pistola rociadora cuyo seguro o protección para el gatillo no esté en perfecto estado de funcionamiento.
- Asegúrese en todo momento de conectar correctamente la pistola rociadora, las boquillas y los accesorios.

▲ ADVERTENCIA Los gases y el calor de escape podrían inflamar los materiales combustibles y las estructuras o dañar el depósito de combustible y provocar incendios, así como daños materiales, lesiones graves o incluso la muerte.

El contacto con la zona del silenciador podría producir quemaduras y lesiones graves.

- NO toque las superficies calientes y evite los gases del escape a alta temperatura.
- Permita que el equipo se enfríe antes de tocarlo.
- Deje un espacio mínimo de 1.5 m (5 pies) alrededor del limpiadora a presión, incluida la parte superior.
- Utilizar el motor en un terreno boscoso, con maleza o cubierto de hierba constituye una infracción al Código de recursos públicos de California, a menos que el sistema de escape esté equipado con una pantalla apagachispas, de acuerdo a la definición de la Sección 4442, que se mantenga en buenas condiciones de funcionamiento. En otros estados o jurisdicciones federales puede haber leyes similares en vigor. Póngase en contacto con el fabricante, el vendedor o el distribuidor del equipo original para obtener una pantalla apagachispas diseñada para el sistema de escape instalado en este motor.
- Las piezas de recambio deben ser las mismas que las piezas originales y estar instaladas en la misma posición.

Cómo Detener su Limpiadora a Presión

1. Suelte el gatillo de la pistola rociadora y deje funcionar el motor al ralentí durante dos minutos.
2. Mueva el acelerador a la posición "Slow" (Lento), y luego a la posición "Stop" (Parada).
3. SIEMPRE fusil de punto en una dirección segura, presione el seguro (botón rojo) y el disparador del fusil del rocío del estrujón para liberar la presión retenida de la pleamar.

▲ ADVERTENCIA El chorro de agua a alta presión que este equipo produce podría atravesar la piel y los tejidos subcutáneos, que podrían provocar lesiones graves y la posible amputación de un miembro.



La pistola rociadora retiene agua a alta presión incluso con el motor parado y el agua desconectada; esto podría provocar lesiones graves.

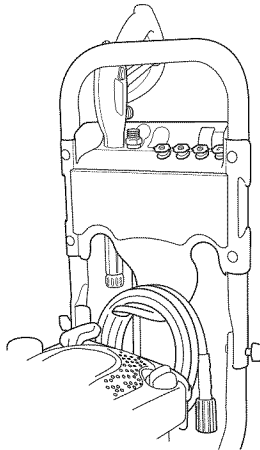
- Mantenga conectada la manguera a la máquina o a la pistola de rociado cuando el sistema esté presurizado.
- SIEMPRE que pare el motor, apunte con la pistola rociadora hacia una dirección segura, pulse el botón rojo y apriete el gatillo para descargar la presión.

Cómo usar la bandeja de accesorios

La unidad dispone de una bandeja de accesorios con compartimentos para guardar la pistola rociadora, el prolongador de la punta de rociado y las puntas de rociado de conexión rápida. La parte trasera de la bandeja también incluye una abrazadera de la manguera desmontable para sujetar la manguera de alta presión.

AVISO El orificio adicional de la bandeja permite guardar un cepillo. La pinza adicional de la bandeja permite guardar una boquilla turbo. La limpiadora a presión NO incluye el cepillo ni la boquilla turbo. Puede adquirir estos elementos como accesorios opcionales.

1. Coloque el prolongador de la punta de rociado en el pasador de la parte trasera de la bandeja de accesorios.



2. Coloque la pistola rociadora en el orificio situado a la derecha de la bandeja de accesorios.
3. Inserte las puntas de rociado de colores en los espacios correspondientes de la bandeja de accesorios.
4. Sujete la manguera de alta presión con la abrazadera de la manguera y fije la abrazadera a la parte trasera de la bandeja de accesorios.

Cómo usar las puntas de rocío

La conexión rápida de la extensión para boquillas le permite usar cuatro puntas de rocío diferentes. Siempre que esté activado el seguro del gatillo de la pistola rociadora, se pueden cambiar las puntas de rociado con la limpiadora a presión en funcionamiento. Las puntas de rocío tienen diferentes patrones de rociado como se ilustra a continuación.

Para cambiar las puntas de rocío:

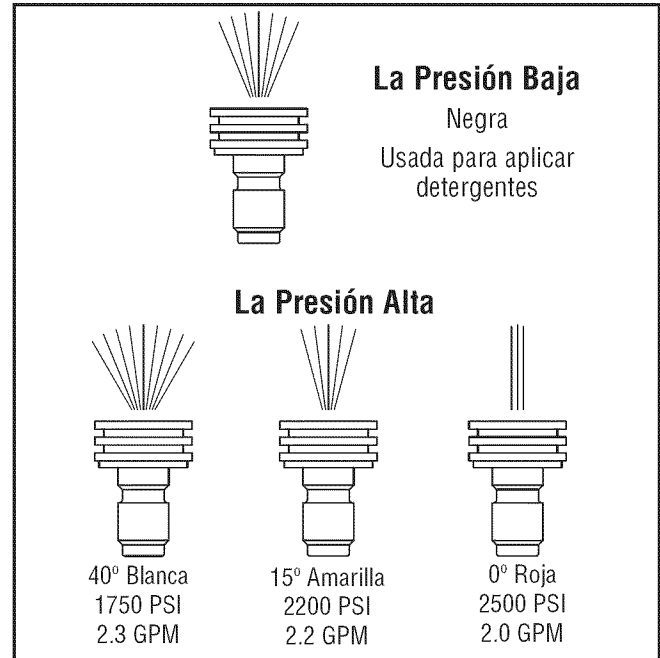
1. Desplace hacia atrás el anillo del conector rápido y tire de las puntas de rocío. Guarde las puntas de rocío en el bandeja de accesorios.

▲ ADVERTENCIA El chorro de agua a alta presión que este equipo produce podría atravesar la piel y los tejidos subcutáneos, que podrían provocar lesiones graves y la posible amputación de un miembro.



- NUNCA intercambie puntas de rocío sin haber asegurado el cerrojo de seguridad del gatillo.
- NO tuerza puntas de rocío al rociar.

2. Seleccione la punta de rociado deseada:



- Para un enjuagado suave (baja presión y mayor caudal), para una limpieza suave de coches/camiones, barcos, RVs, muebles de jardín, cortacéspedes, etc., seleccione la punta de rociado blanca de 40°.
 - Para un enjuagado general (media presión y medio caudal), idóneo para la mayoría de las limpiezas, como revestimientos exteriores, patios de ladrillo, suelos de madera, entradas, aceras, suelos de garaje, etc., seleccione la punta de rociado amarilla de 15°.
 - Para un enjuagado de máxima potencia (alta presión y bajo caudal), para superficies rebeldes o de difícil acceso, como superficies de plantas altas, eliminación de pintura, manchas de aceite, eliminación de óxido u otras sustancias difíciles (alquitrán, resina, grasa, cera, etc.), seleccione la punta de rociado roja de 0°.
 - Para aplicar productos detergentes o limpiadores específicos que ayuden a descomponer la suciedad rebelde en distintas superficies, seleccione la punta de rociado de detergente negra.
3. Desplace hacia atrás el anillo, inserte la nueva punta de rociado y suelte el anillo. Tire de la punta de rociado para comprobar que está bien montada.

Uso inclina

- Para una limpieza más efectiva, mantenga la boquilla de rociado de 20 a 61 cm (8 a 24 pulgadas) de la superficie de limpieza.
- Si coloca la boquilla de rociado demasiado cerca podría dañar la superficie, especialmente cuando esté usando el modo de alta presión.
- NO coloque la boquilla a menos de 15 cm (6 pulgadas) cuando esté limpiando llantas.

Limpieza y Aplicación del Detergente

▲ ADVERTENCIA Peligro de quemadura química.



Las sustancias químicas podrían provocar quemaduras, así como daños materiales, lesiones graves o incluso la muerte.

- NO use líquido cáustico con la limpiadora a presión.
- Use EXCLUSIVAMENTE detergentes o jabones especiales para la limpiadora a presión. Siga todas las instrucciones del fabricante.

Para aplicar el detergente, siga los siguientes pasos:

1. Revise el uso de las puntas de rocío.
2. Prepare la solución detergente siguiendo las instrucciones del fabricante.
3. Coloque el extremo del filtro pequeño del tubo de inyección de detergente en el recipiente del detergente.

AVISO Asegúrese de que el filtro esté totalmente sumergido mientras se aplica el detergente.

AVISO El contacto con el silenciador a alta temperatura podría producir daños en el tubo de inyección de detergente.

- Cuando coloque el filtro en la botella del detergente, coloque el tubo de manera que no entre en contacto accidentalmente con el silenciador caliente.
4. Asegúrese de que las puntas de rocío de detergente negra estén montadas.

AVISO NO se puede aplicar detergente con las puntas de rocío de alta presión (Blanca, Amarilla o Roja).

5. Asegúrese de que la manguera del jardín esté conectada a la entrada de agua. Compruebe que la manguera de alta presión esté conectada a la pistola rociadora y a la bomba. Abra la alimentación de agua.

AVISO Usted deberá conectar todas las mangueras antes de darle arranque al motor.

- Si pone en marcha el motor sin haber conectado previamente todas las mangueras y sin haber ABIERTO el grifo, la bomba podría averiarse.
 - El daño a la limpiadora a presión, resultado de la desatención a esta precaución, no será cubierto por la garantía.
6. Marche el motor siguiendo las instrucciones de la sección *Cómo poner en funcionamiento la limpiadora a presión*.
 7. Aplique el detergente sobre la superficie seca, comenzando en la parte inferior del área y dirigiéndose hacia arriba, utilizando movimientos largos, parejos y superpuestos.
 8. Permita que el detergente "penetre" de 3 a 5 minutos antes de enjuagar. Vuelva a aplicarlo cuando sea necesario para evitar que la superficie se seque. NO permita que el detergente se seque. Si permite que el detergente se seque, la superficie podría quedar con manchas.

AVISO Usted deberá lavar el sistema de inyección de químicos después de cada uso colocando el filtro en un balde de agua limpia y haciendo funcionar la máquina limpiadora a presión de 1 a 2 minutos en el modo de baja presión.

Enjuague de la Máquina Limpiadora a Presión

Después de haber aplicado el detergente, refriegue la superficie y enjuágela de la siguiente manera:

1. Retire las puntas de rocío de detergente negra del prolongador de la boquilla.

2. Seleccione e instale las puntas de rocío de alta presión deseada conforme a las instrucciones de la sección *Cómo usar el puntas de rocío*.
3. Mantenga la pistola de rociado a una distancia segura del área que planea rociar.

▲ ADVERTENCIA El retroceso de la pistola rociadora podría provocar caídas con lesiones graves o la muerte.



- Utilice la limpiadora a presión desde una superficie estable.
 - Extreme las precauciones si necesita utilizar la limpiadora a presión desde una escalera, un andamio u otro lugar similar.
 - Sujete firmemente la pistola rociadora con ambas manos cuando aplique un rociado a alta presión para evitar lesiones cuando se produzca el retroceso de la pistola.
4. Aplique un rociado de alta presión a una pequeña zona y luego compruebe si se ha producido algún tipo de daño. Si no aprecia daños, continúe en el paso 5.
 5. Comience en la parte superior del área que va a enjuagar, dirigiéndose hacia abajo con los mismos movimientos superpuestos que utilizó para la limpieza.

Limpieza del tubo de inyección de detergente

Si usó el tubo, debe lavarlo con agua limpia antes de parar el motor.

1. Coloque el filtro y la inyección de detergente en un balde lleno de agua limpia.
2. Quite las puntas de rocío de alta presión del prolongador de la boquilla.
3. Seleccione e instale las puntas de rocío de detergente negra siguiendo las instrucciones de la sección *Cómo Usar el puntas de rocío*.
4. Lave de 1 a 2 minutos.
5. Pare el motor siguiendo las instrucciones de la sección *Cómo detener su limpiadora a presión* y cierre la entrada de agua.
6. SIEMPRE apunte la pistola rociadora hacia una dirección segura, oprima el botón rojo y apriete el gatillo de la pistola rociadora para liberar la presión.

▲ ADVERTENCIA El chorro de agua a alta presión que este equipo produce podría atravesar la piel y los tejidos subcutáneos, que podrían provocar lesiones graves y la posible amputación de un miembro.



La pistola rociadora retiene agua a alta presión incluso con el motor parado y el agua desconectada; esto podría provocar lesiones graves.

- Mantenga conectada la manguera a la máquina o a la pistola de rociado cuando el sistema esté presurizado.
- SIEMPRE que pare el motor, apunte con la pistola rociadora hacia una dirección segura, pulse el botón rojo y apriete el gatillo para descargar la presión.

Sistema de Enfriamiento Automático (Alivio Térmico)

El agua que circula dentro de la bomba puede alcanzar temperaturas entre los 125°-155°F si hace funcionar el motor de su máquina limpiadora a presión de 3 a 5 minutos sin oprimir el gatillo de la pistola de rociado. El sistema de enfriamiento automático se activa a esta temperatura y enfría la bomba descargando agua caliente en el piso, evitando así el daño interno de la bomba.

ESPECIFICACIONES

INFORMACIÓN TÉCNICA SOBRE EL MOTOR

El motor es de uno cilindros, de L-cabeza, refrigerado por aire y de baja emisión.

En el Estado de California, los motores de la serie 120000 han obtenido la certificación del California Air Resources Board (Consejo de recursos de aire de California) de cumplimiento de la normativa sobre emisiones durante 125 horas. Esta certificación no supone para el comprador, el propietario o el usuario ninguna garantía adicional en lo relativo al rendimiento y a la vida útil del motor. Las garantías del motor atañen exclusivamente al producto y a las emisiones que se declaran en este manual.

Potencia Nominal

El valor de potencia bruta nominal de cada modelo de motor de gasolina está indicado en una etiqueta conforme al código J1940 (Procedimiento de valoración de potencia y par de pequeños motores) de la Society of Automotive Engineers (Sociedad de ingenieros de automoción, SAE). Los valores nominales se han obtenido y corregido conforme al código SAE J1995 (Revisión 2002-05). Los valores de par se obtienen a 3060 rpm; y los valores de potencia se obtienen a 3600 rpm. Los valores de potencia neta se obtienen con el escape y filtro de aire instalados, mientras que los valores de potencia bruta se obtienen sin estos elementos. La potencia bruta real del motor es superior que la potencia neta del motor y depende, entre otros factores, de las condiciones ambientales de uso y de las variaciones entre distintos motores del mismo modelo. Dada la amplia variedad de productos que utilizan nuestros motores, es posible que el motor de gasolina no desarrolle la potencia bruta nominal en determinados equipos. Esta diferencia se debe, entre otros, a los siguientes factores: variedad de componentes del motor (filtro de aire, escape, carga, refrigeración, carburador, bomba de combustible, etc.), limitaciones de la aplicación, condiciones ambientales de uso (temperatura, humedad, altitud) y variaciones entre distintos motores de un mismo modelo. Debido a limitaciones de fabricación y capacidad, Briggs & Stratton puede sustituir un motor de una potencia nominal mayor por un motor de esta serie.

ESPECIFICACIONES DEL PRODUCTO

Especificaciones de la Máquina Limpiadora a Presión

Presión de salida máxima	2,550 PSI*
Caudal máximo	2.3 GPM
Mezcla de químicos	Use según instrucciones
Temperatura del suministro de agua	Que no exceda los 100°F

Especificaciones del Motor

Diámetro de camisa	.68 mm (2,69 pulgadas)
Carrera	.52 mm (2,04 pulgadas)
Desplazamiento	190 cc (11,57 pulgadas)
Bujía	
Tipo:	Briggs & Stratton 802592 o 5095
Calibrar Separación a:	.030 pulgadas (0.76 mm)
Entrehierro del inducido:	.0,15-0,25 mm (0,006-0,010 pulgadas)

Holgura de la válvula con muelles de válvula instalados y pistón de 6 mm (0,25 pulgadas) pasado el punto muerto superior (comprobar con el motor en frío)

Admisión	0,13-0,18 mm (0,005-0,007 pulgadas)
Escape	0,18-0,23 mm (0,007-0,009 pulgadas)
Capacidad de Gasolina	1.6 Cuartos
Capacidad de Aceite	0.5 litros (18 onzas)

AVISO Para que el rendimiento sea óptimo, la carga del motor no debe superar el 85% de su potencia nominal. La potencia del motor se reducirá un 3,5% por cada 300 metros (1.000 pies) de altitud y un 1% por cada 5,6 °C (10 °F) a partir de 25 °C (77 °C). Funcionará satisfactoriamente en un ángulo de hasta 15°.

* Esta limpiadora a presión está clasificada conforme a la norma PW101 (comprobación y clasificación de rendimiento de limpiadoras a presión) de la Asociación de fabricantes de bombas a presión (Pressure Washer Manufacturers Association, PWMA).

MANTENIMIENTO

RECOMENDACIONES GENERALES

Plan de mantenimiento

Siga los intervalos de horas o de calendario, los que sucedan antes. Si opera en condiciones adversas (señaladas más abajo) es necesario un mantenimiento más frecuente.

Primeras Cinco (5) Horas
<ul style="list-style-type: none">• Cambie el aceite del motor
Cada 8 horas o diario
<ul style="list-style-type: none">• Revise/limpie el filtro de la entrada de agua¹• Revise la manguera de alta presión• Revise la manguera del detergente• Revise la pistola aspersora y verifique que no haya fugas en el ensamblaje• Limpie los residuos• Compruebe el nivel de aceite
Cada 25 horas o una vez al año
<ul style="list-style-type: none">• Mantenimiento del filtro de aire²
Cada 50 horas o una vez al año
<ul style="list-style-type: none">• Cambie el aceite del motor²• Inspeccione el silenciador y la pantalla apagachispas
Cada 100 horas o una vez al año
<ul style="list-style-type: none">• Servicio a la bujía• Limpie el sistema de refrigeración²

¹ Limpiar si está obstruido. Reemplazar si está perforado o roto.

² Servicio más a menudo bajo condiciones de suciedad o polvo.

Recomendaciones generales

El mantenimiento periódico mejorará el rendimiento y prolongará la vida útil del limpiadora a presión. Si necesita asistencia, consulte con un distribuidor de Sears o con otro distribuidor cualificado.

La garantía de la máquina limpiadora a presión NO cubre los elementos que han sido sujetos a abuso o negligencia por parte del operador. Para hacer válida la cobertura total de la garantía, el operador deberá mantener la lavadora de presión tal y como se indica en el manual, incluyendo su adecuado almacenamiento, como se describe en la sección *Almacenamiento en el Invierno* y *Almacenamiento prolongado*.

AVISO Una vez al año, usted deberá limpiar o reemplazar la bujía y el filtro de aire. Una bujía nueva y un filtro de aire limpio garantizan una mezcla de combustible-aire adecuada y le ayuda a su motor a funcionar mejor y a tener una vida útil más prolongada.

Bomba de Aceite

NO realice ninguna operación de mantenimiento con el aceite de la bomba. La bomba se suministra prelubricada y sellada en fábrica, y no requiere lubricación adicional durante su vida útil.

Control de Emisiones

Cualquier establecimiento o individuo especializado en la reparación de motores que no sean de automoción puede encargarse del mantenimiento, la sustitución y la reparación de los dispositivos y sistemas de control de emisiones. No obstante, para realizar la revisión gratuita de control de emisiones, deberá acudir a un distribuidor autorizado por el fabricante. Véase *Garantía de emisiones*.

Antes de Cada Uso

1. Revise el nivel de aceite del motor.
2. Limpie los residuos.
3. Revise si existen daños en el colador de la entrada de agua.
4. Revise si existen daños en la manguera del detergente.
5. Revise si existen fugas en el conjunto de la extensión para boquillas y pistola.
6. Elimine el aire y los contaminantes de la bomba.

MANTENIMIENTO DE LA MAQUINA LIMPIADORA A PRESIÓN

Limpie los Residuos

Limpie a diario, o antes de cada uso, los residuos acumulados en el limpiadora a presión. Mantenga limpias las conexiones, los muelles y los mandos. Limpie todo resto de combustible de la zona que rodea al silenciador y de detrás del mismo. Inspeccione las ranuras para aire de enfriamiento y la apertura del limpiadora a presión. Estas aperturas deberán mantenerse limpias y despejadas.

Mantenga limpios los componentes del limpiadora a presión para reducir el riesgo de sobrecalentamiento e ignición de los residuos acumulados.

- Utilice un trapo húmedo para limpiar las superficies exteriores.

AVISO El tratamiento inadecuado del limpiadora a presión puede dañarlo y acortar su vida productiva.

- NO inserte cualquier objeto a través de las ranuras de enfriamiento.
- Puede usar un cepillo de cerdas suaves para retirar la suciedad endurecida, aceite, etc.
- Puede usar una máquina aspiradora para eliminar suciedad y residuos sueltos.

Revise y Limpie el Colador de Entrada

Examine el colador de entrada de la manguera de jardín. Límpielo si está tapado o reemplacelo si está roto.

Revise la Manguera de Alta Presión

Las mangueras de alta presión pueden desarrollar fugas debido al desgaste, dobleces o abuso. Revise la manguera antes de cada uso. Revise si existen cortes, fugas, abrasiones, levantamiento de la cubierta, daño o movimiento de los acoplamientos. Si existe cualquiera de estas condiciones, reemplace la manguera inmediatamente.

▲ ADVERTENCIA El chorro de agua a alta presión que este equipo produce podría atravesar la piel y los tejidos subcutáneos, que podrían provocar lesiones graves y la posible amputación de un miembro.



- NUNCA repare la manguera de alta presión. Reemplacela.
- La capacidad de la manguera DEBE ser igual o superar la presión nominal máxima de la unidad.

Chequee el tubo de sifón del detergente

Examine el filtro en el tubo del detergente y límpielo si se encuentra sucio. El tubo debería quedar apretado en la pieza. Examine el tubo para ver si existe cualquier tipo de goteo o está roto. Reemplace el filtro o el tubo si alguno de ellos se encuentra dañado.

Bola de retención de inyección de detergente

En ocasiones, la bola de retención se atasca en el sistema de inyección de detergente cuando ha pasado almacenado o por acumulación de jabón seco o minerales en el agua. La bola de retención se puede desatascar mediante los siguientes pasos:

AVISO Antes de realizar este procedimiento, asegúrese de usar gafas de seguridad como se describe abajo.

▲ ADVERTENCIA Riesgo de lesiones oculares. El agua rociada podría salpicar o propulsar objetos, lo que puede provocar lesiones graves.



- Cuando utilice este equipo o esté cerca de él, siempre use gafas de seguridad con ventilación indirecta (contra salpicaduras de productos químicos) marcadas para cumplir con ANSI Z87.1.
- NUNCA se ponga gafas de seguridad ni gafas para entornos secos como sustituto de las gafas de seguridad con ventilación indirecta.

1. Apague el motor y apague el suministro de agua.
2. Apunte SIEMPRE con la pistola rociadora hacia una dirección segura, pulse el botón rojo y apriete el gatillo para descargar el agua a alta presión restante.

▲ ADVERTENCIA El chorro de agua a alta presión que este equipo produce podría atravesar la piel y los tejidos subcutáneos, que podrían provocar lesiones graves y la posible amputación de un miembro.



- La pistola rociadora retiene agua a alta presión incluso con el motor parado y el agua desconectada; esto podría provocar lesiones graves.
- Mantenga conectada la manguera a la máquina o a la pistola de rociado cuando el sistema esté presurizado.
 - SIEMPRE que pare el motor, apunte con la pistola rociadora hacia una dirección segura, pulse el botón rojo y apriete el gatillo para descargar la presión.

3. Retire la manguera de inyección de detergente del acoplamiento dentado de la bomba.
4. Inserte suavemente un objeto sólido sin punta de 2,7 mm (7/64 pulg.) de diámetro o más pequeño, pero de por lo menos 2,54 cm (1 pulg.) de largo, como una llave Allen, en el acoplamiento dentado hasta encontrar resistencia. Esta resistencia es la bola de retención.
5. Empuje hacia abajo lentamente hasta sentir que la bola se mueve ligeramente, no empuje más de 3,1 cm (1/8 pulg.). Tal vez sea necesario ejercer un poco de presión para desatascar la bola.
6. Repita los pasos 4 y 5, si es necesario.
7. Vuelva a colocar la manguera de inyección de detergente en el acoplamiento dentado.
8. Dé tratamiento con PumpSaver como se describe en *Protección de la bomba* durante el almacenamiento para evitar que esto vuelva a ocurrir.

Revise la pistola

Examine la conexión de la manguera con la pistola rociadora y asegúrese de que es correcta. Pruebe el gatillo apretando el botón rojo para asegurarse de que el gatillo vuelve a su posición original cuando se suelta. No debe ser posible apretar el gatillo sin apretar el botón rojo. Cambie inmediatamente la pistola rociadora si falla cualquiera de estas pruebas.

Mantenimiento de la Puntas de Rocío

Si siente una sensación pulsante al momento de apretar el gatillo de la pistola rociadora, puede que sea causada por la presión excesiva en la bomba. La causa principal de la presión excesiva en la bomba es cuando la punta de rocío se encuentra atascada o tapada con materiales extraños, tales como tierra, etc. Para corregir el problema, limpie inmediatamente la punta de rocío siga las instrucciones siguientes:

1. Apague el motor y apague el suministro de agua.
2. SIEMPRE que pare el motor, apunte con la pistola rociadora hacia una dirección segura, presione el seguro (botón rojo) y apriete el gatillo para descargar la presión y evitar el retroceso.

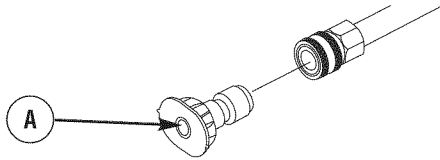
▲ ADVERTENCIA El chorro de agua a alta presión que este equipo produce podría atravesar la piel y los tejidos subcutáneos, que podrían provocar lesiones graves y la posible amputación de un miembro.



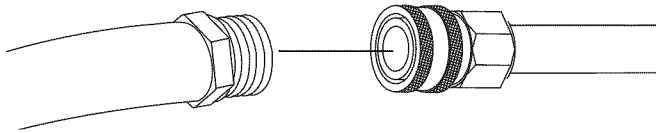
La pistola rociadora retiene agua a alta presión incluso con el motor parado y el agua desconectada; esto podría provocar lesiones graves.

- Mantenga conectada la manguera a la máquina o a la pistola de rociado cuando el sistema esté presurizado.
- SIEMPRE que pare el motor, apunte con la pistola rociadora hacia una dirección segura, pulse el botón rojo y apriete el gatillo para descargar la presión.

3. Remueva la punta de rocío del extremo de la extensión de la boquilla.
4. Use el pequeño sujetapapeles para liberar cualquier material extraño que esté tapando la punta de rocío (A).



5. Retire la extensión para boquillas de la pistola.
6. Usando una manguera de jardín, remueva cualquier desecho adicional, poniendo agua en la extensión de la boquilla. Haga ésto de 30 a 60 segundos.



7. Instale de nuevo la punta de rocío en la extensión.
8. Conecte de nuevo la extensión de la boquilla a la pistola rociadora.
9. Asegúrese de que la manguera del jardín está conectada a la entrada de agua. Compruebe que la manguera de alta presión está conectada a la pistola rociadora y a la bomba. Abra la alimentación de agua.
10. Ponga en marcha el motor siguiendo las instrucciones de la sección *Cómo poner en funcionamiento la limpiadora a presión*.
11. Pruebe el limpiadora a presión al hacer funcionar con cada una de las puntas de rocío de conexiones rápidas que viene con el limpiadora a presión.

Mantenimiento de los Anillos 'O'

Compre una O-Juego de Reparación de Anillo, número de catálogo 7175116, en sus Sears locales o llamando **1-800-4-MY-HOME (469-4663)** o en línea en www.sears.com. No se incluye con la arandela de la presión. Este juego incluye los anillos del reemplazo O y de filtro de cala de agua. Refiérase a la hoja de la instrucción proporcionada en el juego para atender a su unidad los anillos de s O.

⚠ ADVERTENCIA El chorro de agua a alta presión que este equipo produce podría atravesar la piel y los tejidos subcutáneos, que podrían provocar lesiones graves y la posible amputación de un miembro.

- NUNCA utilice ningún tipo de sellador para reparar una fuga en una conexión. Sustituya la junta tórica o la junta.

MANTENIMIENTO DEL MOTOR

⚠ ADVERTENCIA Las chispas involuntarias podrían provocar incendios o electrocución que pueden provocar lesiones graves o la muerte.

CUANDO AJUSTE O HAGA REPARACIONES A SU MÁQUINA LIMPIADORA A PRESIÓN

- Siempre desconecte el alambre de la bujía y colóquelo donde no pueda entrar en contacto con la bujía.

CUANDO PRUEBE LA BUJÍA DEL MOTOR

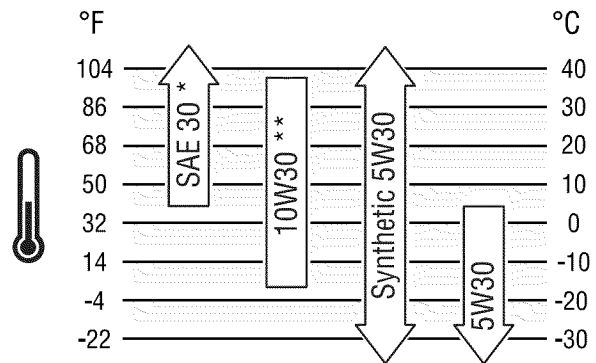
- Utilice un comprobador de bujías homologado.
- NO compruebe la chispa sin la bujía instalada.

Aceite

Recomendaciones sobre el aceite

Para obtener el mejor rendimiento, recomendamos utilizar aceites certificados con garantía Briggs & Stratton. También se pueden utilizar otros aceites detergentes de alta calidad con clasificación de servicio SF, SG, SH, SJ o superior. NO utilice aditivos especiales.

Las temperaturas exteriores determinan la viscosidad adecuada del aceite para el motor. Utilice el cuadro para seleccionar la mejor viscosidad para el intervalo de temperatura exterior previsto.



* Por debajo de 4 °C (40 °F), el uso de aceite SAE 30 provocará dificultades de arranque.

** Por encima de 27 °C (80 °F) el uso de aceite 10W30 puede aumentar el consumo de aceite. Compruebe el nivel de aceite con mayor frecuencia.

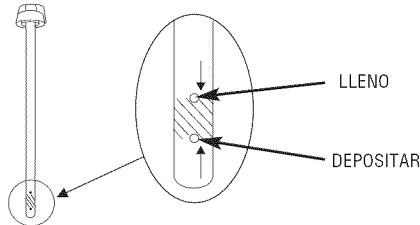


AVISO Todo aceite sintético que cumpla las especificaciones ILSAC GF-2, con marca de certificación API y con símbolo de servicio API (se muestra a la izquierda) con "SJ/CF ENERGY CONSERVING" o superior es un aceite aceptable a todas las temperaturas. El uso de aceite sintético no altera los intervalos de cambio de aceite indicados.

Comprobación del nivel de aceite

Compruebe el nivel de aceite antes de cada uso o cada 8 horas de funcionamiento, como mínimo. Rellene si es necesario.

1. Coloque el limpiadora a presión sobre una superficie nivelada.
2. Retire la varilla de medición y limpie la varilla de medición. Instale el varilla de medición, apriete firmemente. Quite y verifique nivel del aceite.
3. Compruebe que el aceite hasta la marca lleno (hoyo primero) de la varilla de medición. Instale el varilla de medición, apriete firmemente.



Adición de aceite del motor

1. Coloque el limpiadora a presión sobre una superficie nivelada.
2. Compruebe el nivel de aceite tal como se indica en la sección *Comprobación del nivel de aceite*.
3. Si es necesario, vierta lentamente aceite por el orificio de llenado hasta la marca lleno (hoyo primero) de la varilla de medición. NO llene excesivamente.

AVISO El llenado de aceite en exceso podría impedir el arranque del motor o provocar dificultades de arranque.

- NO llene en exceso.
 - Si el nivel de aceite está por encima de la marca FULL (LLENO) de la varilla, vacíe aceite para reducir el nivel hasta la marca FULL (LLENO) de la varilla.
4. Instale el varilla de medición, apriete firmemente.

Cambio de Aceite del Motor

Si está utilizando su generador bajo condiciones de extrema suciedad o polvo, o en un clima demasiado caliente, haga el cambio de aceite más frecuentemente.

⚠ PRECAUCIÓN Evite el contacto prolongado o repetido de piel con aceite usado de motor.

- El aceite usado del motor ha sido mostrado al cáncer de la piel de la causa en ciertos animales del laboratorio.
- Completamente lavado expuso áreas con el jabón y el agua.



MANTENER FUERA DEL ALCANCE DE LOS NIÑOS. NO CONTAMINE. CONSERVE LOS RECURSOS. DEPOSITE EL ACEITE USADO EN UN PUNTO DE RECOGIDA.

Cambie el aceite cuando el motor siga estando caliente después de haber funcionado:

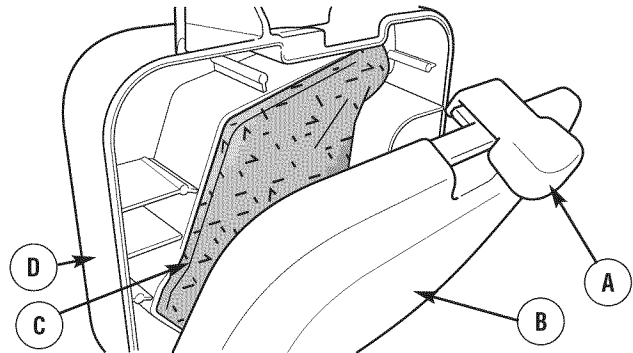
1. Drene el tanque del combustible haciendo funcionar la máquina limpiadora a presión hasta que el tanque esté vacío.
2. Desconecte alambre de bujía y lo mantiene lejos del bujía.
3. Limpie el área alrededor de la abertura para llenado de aceite, retire la varilla de medición. Limpie la varilla de medición.
4. Incline su máquina limpiadora a presión para drenar el aceite a través del orificio de llenado en un recipiente adecuado asegurándose de inclinar la unidad hacia el lado opuesto de la bujía. Cuando la caja del cigüeñal esté vacía, vuelva a colocar la máquina limpiadora a presión en posición vertical.
5. Vierta lentamente unos 0,5 litros (18 onzas) de aceite por el orificio. Deposite el aceite recomendado hasta la marca lleno (hoyo primero) de la varilla de medición.
6. Limpie la varilla de medición cada vez nivel del aceite se verifica. NO añada aceite en exceso.
7. Instale la varilla de medición, apriete firmemente.
8. Limpie los residuos de aceite.
9. Conecte de nuevo alambre de bujía al bujía.

Servicio del Depurador de Aire

Su motor no funcionará adecuadamente y puede dañarse si usted lo hace funcionar con un depurador de aire sucio. Suministre servicio más frecuentemente si la unidad funciona bajo condiciones de mucha suciedad o polvo. Los repuestos se encuentran disponibles en su centro de servicio local Sears.

Para dar servicio al depurador de aire, siga los pasos que se detallan a continuación:

1. Deslice la palanca (A) del filtro de aire a la posición de abierto (☑) e incline la tapa (B) hacia abajo.



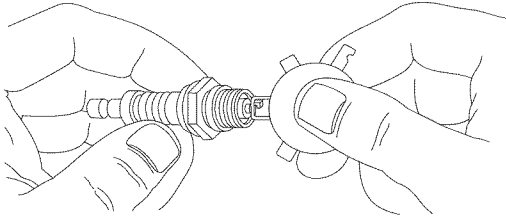
2. Quite detenidamente aire la más limpia para prevenir escombros de caer en el carburador.
3. Lave limpiador de aire (C) de espuma en el detergente y el agua líquidos. El estrujón seca en una tela limpia.
4. SATURE limpiador de aire de espuma en el aceite de motor y estrujón en una tela limpia para quitar el exceso aceite.
5. Vuelva a instalar limpie o limpiador nuevo de aire de espuma en el cuerpo (D).
6. Incline la tapa hacia arriba y deslice la palanca a la posición de cerrado (☒).

AVISO Usted puede comprar los elementos del filtro de aire nuevos llamando al **1-800-4-MY-HOME (469-4663)**.

Remplace la Bujía

Cambie la bujía ayudará a su motor a arrancar más fácilmente y funcionar mejor.

1. Limpie el área alrededor de la bujía y retírela.
2. Retire y revise la bujía.
3. Cambie la bujía si los electrodos están picados o quemados o si la porcelana está agrietada. Utilice la bujía de repuesto recomendada. Consulte *Especificaciones*.
4. Compruebe la separación del electrodo con un calibrador de alambre y ajuste el espacio de la bujía a la medida recomendada si fuera necesario (véase *Especificaciones*).



5. Instale la bujía y apriétela firmemente.

AVISO Puede adquirir nuevas bujías al número telefónico **1-800-4-MY-HOME (469-4663)**.

Inspeccione el silenciador y la pantalla apagachispas

Inspeccione que el silenciador no presente fisuras, corrosión u otros daños. Desmonte la pantalla apagachispas, si cuenta con una, y verifique que no presente daños ni obstrucción por carbón. En caso de que se necesiten piezas de recambio, asegúrese de usar solamente piezas de recambio originales para el equipo.

AVISO Para obtener el número de parte llame al **1-800-4-MY-HOME (469-4663)**.

▲ ADVERTENCIA Los gases y el calor de escape podrían inflamar los materiales combustibles y las estructuras o dañar el depósito de combustible y provocar incendios, así como daños materiales, lesiones graves o incluso la muerte.

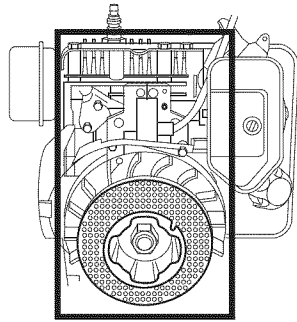
El contacto con la zona del silenciador podría producir quemaduras y lesiones graves.

- NO toque las superficies calientes y evite los gases del escape a alta temperatura.
- Permita que el equipo se enfríe antes de tocarlo.
- Deje un espacio mínimo de 1.5 m (5 pies) alrededor del limpiadora a presión, incluida la parte superior.
- Utilizar el motor en un terreno boscoso, con maleza o cubierto de hierba constituye una infracción al Código de recursos públicos de California, a menos que el sistema de escape esté equipado con una pantalla apagachispas, de acuerdo a la definición de la Sección 4442, que se mantenga en buenas condiciones de funcionamiento. En otros estados o jurisdicciones federales puede haber leyes similares en vigor. Póngase en contacto con el fabricante, el vendedor o el distribuidor del equipo original para obtener una pantalla apagachispas diseñada para el sistema de escape instalado en este motor.
- Las piezas de recambio deben ser las mismas que las piezas originales y estar instaladas en la misma posición.

Sistema de Refrigeración de Aire

Con el tiempo, se pueden acumular residuos en las aletas de refrigeración del cilindro y pasar inadvertidos mientras no se desmonte parcialmente el motor. Recomendamos que encargue la limpieza del sistema de refrigeración a un distribuidor autorizado de servicio Sears siguiendo los intervalos recomendados (consulte la sección *Calendario de Mantenimiento*). Es igualmente importante que no se acumulen residuos en el motor. Consulte la sección *Limpe los Residuos*.

Mantenga libres de residuos las zonas situadas dentro de las líneas gruesas.



Ajuste del carburador

El carburador de este motor es de baja emisión. Está equipado con una válvula de mezcla de ralentí no ajustable y, en algunos casos, con ralentí regulado. Los niveles de ralentí regulado y velocidad máxima se ajustan en la fábrica. Si es necesario modificarlos, acuda a un distribuidor autorizado de Sears.

▲ PRECAUCIÓN Las velocidades de funcionamiento excesivamente altas podrían provocar lesiones leves y/o daños al limpiadora a presión. Las velocidades excesivamente bajas incrementan la carga de trabajo.

- NO intente alterar el resorte, las conexiones y otras partes del regulador para incrementar la velocidad del motor. La limpiadora a presión ejerce la presión y el flujo nominales correctos cuando funciona a una velocidad controlada.
- NO modifique al limpiadora a presión en ninguna forma.

DESPUES DE CADA USO

No deberá haber agua en la unidad por largos períodos de tiempo. Los sedimentos de minerales se pueden depositar en partes de la bomba y “congelar” su funcionamiento. Lleve a cabo estos procedimientos después de cada uso:

1. Pare el motor, cierre la alimentación de agua, apunte con la pistola rociadora hacia una dirección segura, pulse el botón rojo y apriete el gatillo para descargar la presión. Deje enfriar el motor.

▲ ADVERTENCIA El chorro de agua a alta presión que este equipo produce podría atravesar la piel y los tejidos subcutáneos, que podrían provocar lesiones graves y la posible amputación de un miembro.

La pistola rociadora retiene agua a alta presión incluso con el motor parado y el agua desconectada; esto podría provocar lesiones graves.

- Mantenga conectada la manguera a la máquina o a la pistola de rociado cuando el sistema esté presurizado.
 - SIEMPRE que pare el motor, apunte con la pistola rociadora hacia una dirección segura, pulse el botón rojo y apriete el gatillo para descargar la presión.
2. Desconecte manga del fusil del rocío y salida alta de presión en la bomba. Desagüe agua de la manga, del fusil, y de la extensión de boquilla. Use un harapo para quitar la manga.
 3. Coloque la pistola rociadora, el extensión de la boquilla y la manguera de alta presión en la bandeja de accesorios.
 4. Saque todos los líquidos de la bomba halando la manija de retroceso aproximadamente 6 veces. Esto deberá evacuar la mayoría del líquido de la bomba.
 5. Almacene la unidad en una área limpia y seca.
 6. Si planea almacenar la unidad por más de 30 días, vea la sección *Almacenamiento Prolongado* en próxima página.

▲ ADVERTENCIA El combustible y sus vapores son extremadamente inflamables y explosivos, lo que podría provocar quemaduras, incendios o explosiones; así como daños materiales, lesiones graves o incluso la muerte.

CUANDO ALMACENE O GUARDE EL EQUIPO CON COMBUSTIBLE EN EL TANQUE

- Manténgalo alejado de calderas, estufas, calentadores de agua, secadoras de ropa u otros aparatos que utilicen llama piloto u otras fuentes de ignición que podrían inflamar los vapores de combustible.

ALMACENAMIENTO

ALMACENAMIENTO PARA INVIERNO

AVISO Usted deberá proteger su unidad de las temperaturas de congelamiento.

- Si no lo hace, dañará permanentemente la bomba y la unidad no podrá funcionar.
- La garantía no cubre el daño de la unidad ocasionado por congelamiento.

Para proteger la unidad de las temperaturas de congelamiento:

1. Siga los pasos 1-4 en la sección previa *Después de Cada Uso*.
2. Utilice un protector de bomba, disponible en Sears con el número de catálogo 7174403 para cuidar la bomba. Aquél protege a la unidad contra el congelamiento y lubrica tanto los pistones como los empaques.
3. Si el protector de bomba no está disponible, conecte un tramo de 3 pies de manguera de jardín a la entrada de agua. Vierta anticongelante RV (anticongelante sin alcohol) en la manguera. Jale la manija de arranque dos veces. Desconecte después la manguera de 3 pies.
4. Almacene la unidad en una área limpia y seca.

ALMACENAMIENTO PROLONGADO

Si usted no planea usar la máquina limpiadora a presión por más de 30 días, deberá preparar el motor para un almacenamiento prolongado.

Es importante evitar la formación de depósitos de goma en las partes esenciales del sistema del combustible tales como carburador, filtro del combustible, manguera o tanque del combustible durante el almacenamiento. También, la experiencia indica que los combustibles con mezclas de alcohol (llamados gasohol, etanol o metanol) pueden atraer la humedad, lo que lleva a la separación y formación de ácidos durante el almacenamiento. La gasolina ácida puede dañar el sistema del combustible de un motor durante el almacenamiento.

Proteja el Sistema de Combustible

Aditivo para Combustible:

El combustible puede estar pasado 30 días después de su almacenamiento. El combustible pasado provoca la formación de residuos ácidos y de carbonilla en el circuito de combustible y en los componentes básicos del carburador. Para mantener el combustible en buen estado, utilice el estabilizador de combustible FRESH START® de Briggs & Stratton en cualquiera de sus variantes: líquido o cartucho concentrado con goteo.

Si se añade un estabilizador de combustible conforme a las instrucciones, no será necesario vaciar el motor de combustible. Haga funcionar el motor durante dos minutos para que el estabilizador circule por todo el circuito de combustible. El motor y el combustible se pueden almacenar hasta 24 meses.

Si no se ha añadido un estabilizador de combustible a la gasolina, deberá vaciar completamente el motor utilizando un contenedor homologado. Deje funcionar el motor hasta que se agote el combustible. Se recomienda utilizar un estabilizador de combustible en el contenedor de almacenamiento para mantener la gasolina en buen estado.

Cambio de aceite

Con el motor todavía caliente, drene el aceite de la caja del cigüeñal. Vuelva a llenarlo con el grado de aceite recomendado. Vea *Cambio de Aceite del Motor* en la sección *Mantenimiento del Motor*.

Protección de la Bomba

Para proteger la bomba frente a los daños que causan los depósitos minerales o la congelación, use PumpSaver, número de catálogo 7174403, para cuidar la bomba. Esto evita los daños derivados de la congelación y lubrica los pistones y las juntas.

AVISO El PumpSaver están disponible sólo como un accesorio opcional. NO es incluido con la arandela de la presión. Avise el más cercano servicio autorizado central para comprar PumpSaver.

AVISO Usted deberá proteger su unidad de las temperaturas de congelamiento.

- Si no lo hace, dañará permanentemente la bomba y la unidad no podrá funcionar.
- La garantía no cubre el daño de la unidad ocasionado por congelamiento.

Al uso el PumpSaver, cerciórese la arandela de la presión se apaga y desconecta del agua del suministro. Lea y siga todas instrucciones y las advertencias dadas en el contenedor de PumpSaver.

Otras sugerencias para el almacenamiento

1. NO guarde combustible de una temporada a otra a menos que lo haya tratado como se indica en la sección *Aditivo para combustible*.
2. Reemplace la caneca de gasolina si comienza a oxidarse. El óxido y/o la suciedad en la gasolina le causará problemas.
3. Cubra su unidad con una cubierta de protección adecuada que no retenga humedad.

▲ ADVERTENCIA Las fundas para almacenamiento podrían provocar incendios y producir daños materiales, lesiones graves o incluso la muerte.

- NO coloque una cubierta encima de un limpiadora a presión caliente.
- Deje que la unidad se enfríe lo suficientemente antes de que le coloque la cubierta.

4. Almacene la unidad en un área limpia y seca.

REPARACION DE DAÑOS

Problema	Causa	Solución
<p>La bomba presenta los siguientes problemas: no produce presión o produce una presión errada, traqueteo, pérdida de presión, bajo volumen de agua.</p>	<ol style="list-style-type: none"> 1. Está usando la puntas de rocío de baja presión (negra). 2. La entrada de agua está bloqueada. 3. Suministro de agua inadecuado. 4. La manguera de entrada está doblada o presenta fugas. 5. El colador de la manguera de la entrada de agua está tapado. 6. El suministro de agua está por encima de los 100°F. 7. La manguera de alta presión está bloqueada o presenta fugas. 8. La pistola presenta fugas. 9. La punta de rocío está obstruida. 10. Bomba defectuosa. 	<ol style="list-style-type: none"> 1. Cambie la puntas de rocío a una de las puntas de rocío de alta presión. 2. Limpie la entrada. 3. Proporcione flujo de agua adecuado. 4. Estire la manguera de entrada, coloque un parche en la fuga. 5. Revise y limpie el colador de la manguera de entrada. 6. Proporcione suministro de agua más fría. 7. Retire las obstrucciones de la manguera de salida. 8. Reemplace la pistola. 9. Limpie la punta de rocío. 10. Contacte el distribuidor de servicio autorizado.
<p>El detergente no se mezcla con el rociado.</p>	<ol style="list-style-type: none"> 1. El tubo de succión de detergente no está sumergido. 2. El filtro de químicos está tapado. 3. Está usando la puntas de rocío de alta presión. 4. Bola de retención de inyección de detergente pegado. 	<ol style="list-style-type: none"> 1. Coloque el tubo de succión de detergente en el detergente. 2. Limpie o reemplace el filtro/tubo de succión de detergente. 3. Use la puntas de rocío de baja presión (negra). 4. Libre bola de retención de inyección de detergente.
<p>El motor funciona bien cuando no tiene cargas, pero funciona "mal" cuando se conecta una carga.</p>	<p>La velocidad del motor es demasiado lenta.</p>	<p>Mueva el control de la válvula de regulación a la posición FAST (RAPIDO). Si el motor continua funcionando mal, póngase en contacto con el distribuidor de servicio autorizado.</p>
<p>El motor no arranca; arranca y funciona mal o apaga durante la operación.</p>	<ol style="list-style-type: none"> 1. Control de la válvula de admisión en la posición de "Stop" (Parada). 2. Depurador de aire sucio. 3. Sin combustible. 4. Combustible vieja. 5. El alambre de la bujía no está conectado a la bujía. 6. Bujía mala. 7. Agua en la combustible. 8. Mezcla de combustible demasiado rica. 	<ol style="list-style-type: none"> 1. Coloque del control de la válvula de admisión en la posición de "Rápido" ("Fast"). 2. Limpie o reemplace el depurador de aire. 3. Llene el tanque de combustible. 4. Drene el tanque de combustible; llénelo con combustible fresco. 5. Conecte el alambre a la bujía. 6. Reemplace la bujía. 7. Drene el tanque de combustible; llénelo con combustible fresco. 8. Contacte el distribuidor de servicio autorizado.
<p>El motor no tiene fuerza.</p>	<p>Filtro de aire sucio.</p>	<p>Reemplace el filtro de aire.</p>

GARANTÍA DEL SISTEMA DE CONTROL DE EMISIONES

Garantía de control de emisiones de California, U.S. EPA y Sears

Derechos y obligaciones de la garantía

California Air Resources Board, U.S. EPA y Sears Brands Management Corporation, U.S.A. (Sears) le explican a continuación la garantía del sistema de control de emisiones de su motor/equipo modelo 2011-2012. En California, los nuevos motores pequeños para máquinas de servicio y los motores grandes con ignición por bujías no superiores a 1,0 litro deben estar diseñados, fabricados y equipados conforme a los exigentes estándares de lucha contra la contaminación del Estado. Sears garantiza el sistema de control de emisiones de su motor/equipo durante los períodos que se indican a continuación, siempre que no haya habido uso indebido, negligencia o mantenimiento indebido del motor o equipo para máquinas de servicio.

Su sistema de control de emisiones puede incluir componentes como el carburador o el sistema de inyección de combustible, el tanque de combustible, el sistema de arranque y el convertidor catalítico. También puede incluir mangueras, correas, conectores, detectores y otros conjuntos relacionados con las emisiones. Si se cumplen las condiciones de la garantía, Sears reparará el motor/equipo sin coste alguno, incluido el diagnóstico, los componentes y la mano de obra.

Cobertura de la garantía del fabricante:

Los motores pequeños para máquinas de servicio y los motores grandes con ignición por bujías no superiores a 1,0 litro tienen una garantía de dos años. Si algún componente del motor/equipo relacionado con las emisiones estuviera defectuoso, Sears lo reparará o sustituirá.

Responsabilidades de la garantía del propietario:

- Como propietario del motor/equipo, usted es responsable de llevar a cabo todas las operaciones de mantenimiento que se enumeran en el manual del propietario. Sears recomienda conservar todas las facturas relativas al mantenimiento del motor/equipo, pero Sears no puede denegar la garantía basándose únicamente en la falta de facturas o en la imposibilidad por parte del propietario de asegurar la correcta realización de todas las operaciones de mantenimiento.
- Como propietario del motor/equipo, debe ser consciente de que Sears puede denegar la cobertura de la garantía si el motor/equipo o uno de sus componentes falla debido a un uso indebido o negligente, un mantenimiento inadecuado o modificaciones no autorizadas.
- Usted es responsable de presentar su motor/equipo a un centro de distribución de Sears, distribuidor autorizado de servicio u otra entidad equivalente, según corresponda, en el momento en que surja un problema. Las reparaciones cubiertas por la garantía se llevarán a cabo en un plazo razonable, no superior a 30 días en ningún caso. En caso de preguntas sobre los derechos y responsabilidades relativos a la garantía, póngase en contacto con Sears llamando al (800) 469-4663.

Disposiciones de la garantía contra defectos del sistema de control de emisiones de Sears

A continuación se detallan las disposiciones concretas relativas a la Cobertura de la garantía contra defectos del sistema de control de emisiones. Se añaden a la garantía de motores de Sears para motores no regulados, que figura en el Manual del Operario.

1. Piezas garantizadas

La presente garantía cubre únicamente las piezas que se enumeran a continuación (piezas del sistema de control de emisiones) siempre que tales piezas estuvieran presentes en el motor adquirido.

- a. Sistema de regulación de combustible
 - Sistema de enriquecimiento para arranque en frío (estrangulador electrónico)
 - Carburador y piezas internas
 - Bomba de combustible
 - Conducto de combustible, acoplamiento del conducto de combustible, abrazaderas
 - Depósito de combustible, tapón y cadena
 - Bote de carbono
- b. Sistema de inducción de aire
 - Filtro de aire
 - Colector de admisión
 - Línea de purga y ventilación
- c. Sistema de encendido
 - Bujía(s)
 - Sistema de encendido magnético
- d. Sistema catalizador
 - Convertidor catalítico
 - Colector de escape
 - Sistema de inyección de aire o válvula de impulso
- e. Elementos diversos utilizados en los sistemas anteriores
 - Válvulas y conmutadores de aspiración, temperatura, posición y temporizados
 - Conectores y unidades

2. Duración de la cobertura

Durante un período de dos años desde la fecha de compra original, Sears garantiza al propietario original y a todo propietario posterior que el motor está diseñado, fabricado y equipado conforme a la normativa vigente adoptada por el Air Resources Board; que no tiene defectos de materiales ni de mano de obra que provoquen el fallo de un componente cubierto; y que es idéntico en todos los aspectos materiales al motor descrito en la aplicación de certificación del fabricante. El período de garantía comienza en la fecha de adquisición original del motor.

En EE.UU. y Canadá contamos con una línea de emergencia las 24 horas (1-800-469-4663), que ofrece un menú de mensajes pregrabados con información sobre mantenimiento de productos.

La garantía de los componentes relacionados con las emisiones es la siguiente:

- Los fallos de todo componente cubierto por la garantía que no se deba sustituir como parte del plan de mantenimiento obligatorio detallado en el manual del propietario entregado quedarán cubiertos por la garantía durante el período de la garantía especificado anteriormente. Si alguno de estos componentes falla durante el período de cobertura de la garantía, deberá ser reparado o sustituido por Sears sin cargo alguno para el propietario. Los componentes que se reparen o sustituyan en virtud de la garantía estarán cubiertos por la garantía durante el período de garantía restante.
- Los fallos de todo componente cubierto por la garantía que sólo se deba inspeccionar periódicamente según el manual del propietario entregado quedarán cubiertos por la garantía durante el período de la garantía especificado anteriormente. Los componentes que se reparen o sustituyan en virtud de la garantía estarán cubiertos por la garantía durante el período de garantía restante.
- Los fallos de todo componente cubierto por la garantía que se deba sustituir como parte del plan de mantenimiento obligatorio detallado en el manual del propietario entregado quedarán cubiertos por la garantía hasta el momento en que se indique que es necesario hacer la primera sustitución. Si el componente falla antes de la fecha de la primera sustitución, será reparado o sustituido por Sears sin cargo alguno para el propietario. Los componentes que se reparen o sustituyan en virtud de la garantía estarán cubiertos por la garantía durante el período de garantía hasta llegar a la fecha de la primera sustitución.
- No se podrán utilizar componentes complementarios o modificados no exentos por el Air Resources Board. El uso de componentes complementarios o modificados no exentos por parte del propietario dará lugar a la anulación de la garantía. El fabricante no será responsable de los fallos de componentes cubiertos por la garantía que se deban al uso de un componente complementario o modificado no exento.

3. Cobertura de daños derivados

La cobertura se ampliará a los fallos de cualquier componente del motor derivados del fallo de cualquier componente relacionado con el sistema de emisiones cubierto por la garantía.

4. Solicitudes y exclusiones de cobertura

Las solicitudes de garantía se cumplimentarán con arreglo a las disposiciones de la política de garantía de motores Sears. La cobertura no aplica a los fallos de componentes relacionados con el sistema de emisiones cubiertos por la garantía que no sean originales de Sears ni a los fallos debidos a uso indebido, negligencia o mantenimiento inadecuado, conforme a las disposiciones de la política de garantía de motores

Sears. Sears no será responsable de la cobertura de la garantía de fallos de componentes relacionados con el sistema de emisiones cubiertos por la garantía provocados por el uso de componentes complementarios o modificados.

Consulte la información sobre el período de durabilidad de las emisiones y el índice de aire en la etiqueta de emisiones del motor pequeño para máquinas de servicio

Los motores con certificación de cumplimiento de la normativa sobre emisiones de motores pequeños para máquinas de servicio del California Air Resources Board (CARB) deben mostrar información sobre el período de durabilidad de las emisiones y el índice de aire. El fabricante del motor ofrece esta información al consumidor mediante etiquetas de emisiones. La etiqueta de emisiones del motor contiene la información de certificación.

El **Período de Durabilidad de las Emisiones** indica el número de horas durante las cuales el motor puede funcionar cumpliendo las normas sobre emisiones, siempre que se realicen las operaciones de mantenimiento que se detallan en las instrucciones de uso y mantenimiento. Se utilizan las siguientes categorías:

Moderado: El motor está certificado para cumplir la normativa sobre emisiones durante 125 horas de funcionamiento real.

Intermedio: El motor está certificado para cumplir la normativa sobre emisiones durante 250 horas de funcionamiento real.

Prolongado: El motor está certificado para cumplir la normativa sobre emisiones durante 500 horas de funcionamiento real.

Por ejemplo, un cortacésped con operario a pie se suele utilizar entre 20 y 25 horas al año. Por tanto, el **Período de Durabilidad de las Emisiones** de un motor con clasificación **intermedia** equivaldría a 10-12 años.

Los motores cuentan con la certificación de cumplimiento de la fase 2 de las normativas sobre emisiones de la United States Environmental Protection Agency (USEPA, Agencia estadounidense de protección del medioambiente). En el caso de los motores con certificación de fase 2, el período de cumplimiento de la normativa sobre emisiones que figura en la etiqueta de cumplimiento de emisiones indica el número de horas de funcionamiento durante las cuales el motor ha demostrado cumplir los requisitos federales sobre emisiones.

Para motores de menos de 225 cc:

Categoría C = 125 horas

Categoría B = 250 horas

Categoría A = 500 horas.

Para motores de 225 cc o más:

Categoría C = 250 horas

Categoría B = 500 horas

Categoría A = 1000 horas.

Get it fixed, at your home or ours!

Your Home

For troubleshooting, product manuals and expert advice:



www.managemylife.com

For repair – **in your home** – of **all** major brand appliances, lawn and garden equipment, or heating and cooling systems, **no matter who made it, no matter who sold it!**

For the replacement parts, accessories and owner's manuals that you need to do-it-yourself.

For Sears professional installation of home appliances and items like garage door openers and water heaters.

1-800-4-MY-HOME[®] (1-800-469-4663)

Call anytime, day or night (U.S.A. and Canada)

www.sears.com www.sears.ca

Our Home

For repair of carry-in items like vacuums, lawn equipment, and electronics, call anytime for the location of your nearest

Sears Parts & Repair Service Center

1-800-488-1222 (U.S.A.)

www.sears.com

1-800-469-4663 (Canada)

www.sears.ca

To purchase a protection agreement on a product serviced by Sears:

1-800-827-6655 (U.S.A.)

1-800-361-6665 (Canada)

Para pedir servicio de reparación a domicilio, y para ordenar piezas:

1-888-SU-HOGAR[®]

(1-888-784-6427)

www.sears.com

Au Canada pour service en français:

1-800-LE-FOYER^{MC}

(1-800-533-6937)

www.sears.ca

The Sears logo, featuring the word "Sears" in a large, stylized, serif font with a shadow effect.

® Registered Trademark / TM Trademark of KCD IP, LLC in the United States, or Sears Brands, LLC in other countries

® Marca Registrada / TM Marca de Fábrica de KCD IP, LLC en Estados Unidos, o Sears Brands, LLC in otros países

^{MC} Marque de commerce / ^{MD} Marque déposée de Sears Brands, LLC